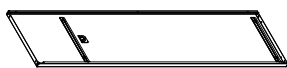


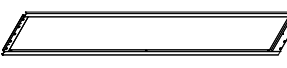
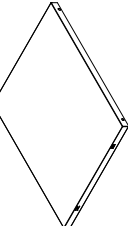
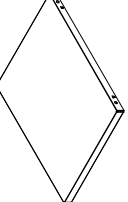

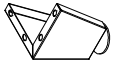
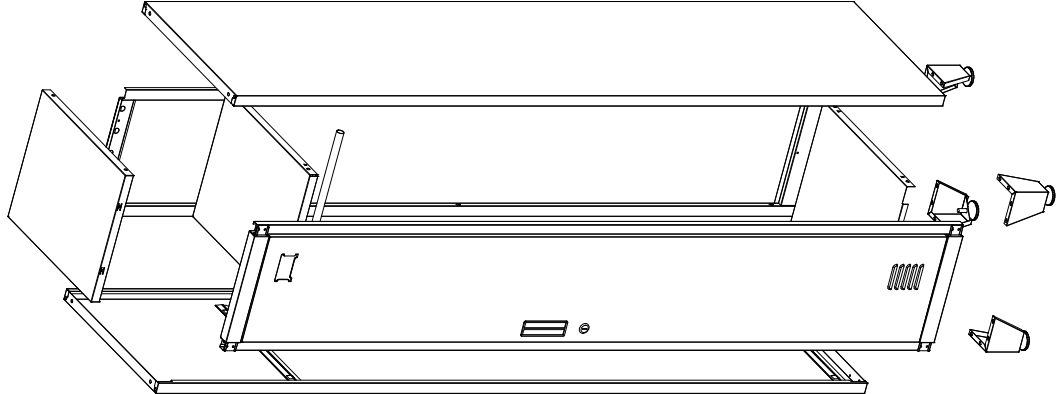
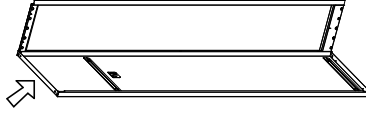
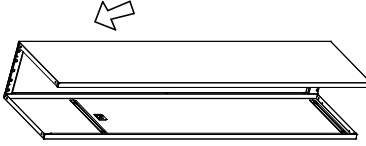
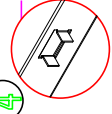
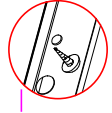
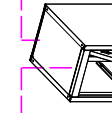
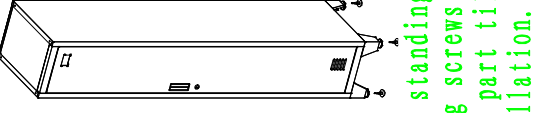


Installation Instruction:

 <p>Left Side: 1Pc</p>	 <p>Right Side: 1Pc</p>	 <p>Door Frame: 1Pc</p>	 <p>Back Plate: 1Pc</p>	 <p>Top Plate: 1Pc</p>	 <p>Shelf: 1Pc</p>	 <p>Self-tapping Screw (5x12): 24Pcs</p>	 <p>Standing Feet: 4Pcs</p>
 <p>1</p>							
 <p>2</p>				 <p>3</p>			
<p>Bolt the left side and back plate with self-tapping screws (5x12)</p>				<p>Bolt the right plate and back plate in the same way as the first step</p>			
 <p>4</p>							
 <p>5</p>							
 <p>6</p>							
<p>Install the top and bottom plate respectively</p>				<p>Install the shelf and hanging rod</p>			
 <p>7</p>							
<p>Fix the door frame onto both of the side plates</p>							
<p>Install the standing feet with self-tapping screws (5x12), then adjust each part till fit well after installation.</p>							