



Left Side:1Pc



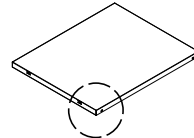
Right Side:1Pc



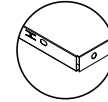
Door Frame:1Pc



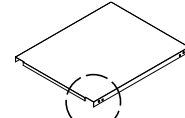
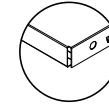
Back Plate:1Pc



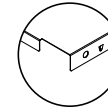
Top Plate:1Pc



Shelf:1Pc



Bottom Plate:1Pc



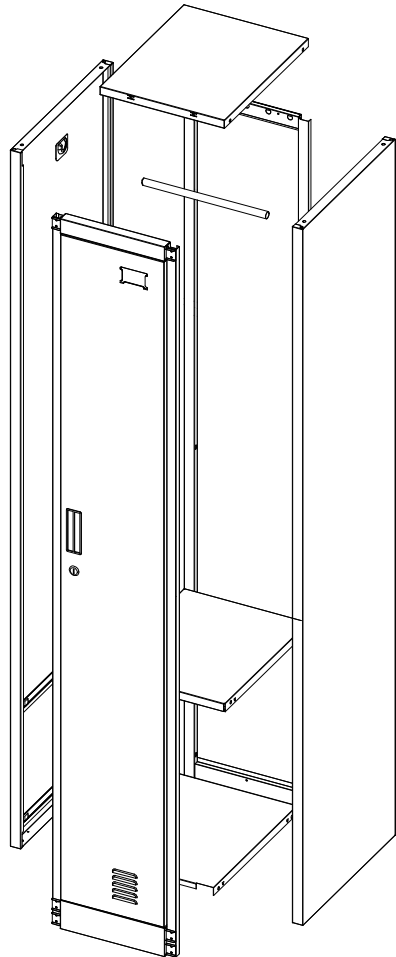
Hanging Rod:1Pc



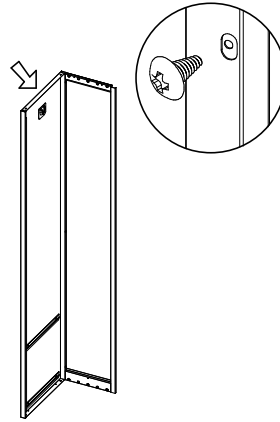
Self-tapping  
Screw(5x12):10Pcs



Key:1 Set

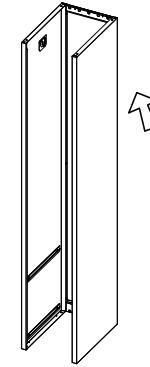


①



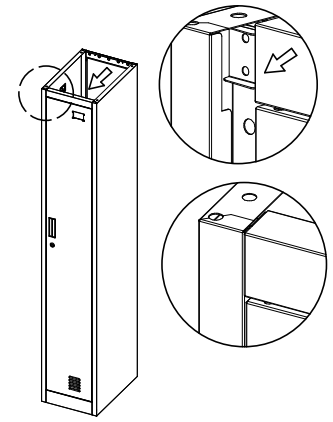
Bolt the left side and back plate with self-tapping screws(5x12)

②



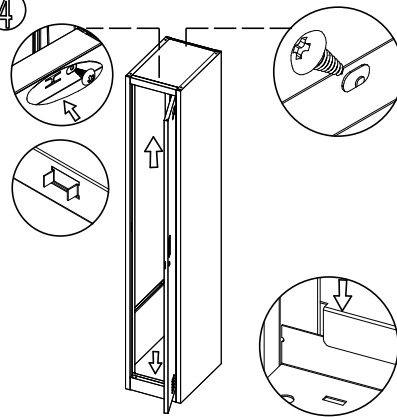
Bolt the right plate and back plate in the same way as the first step

③



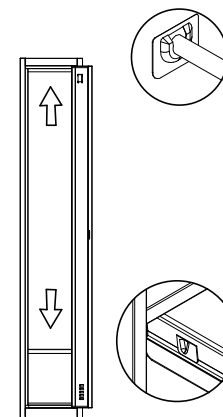
Fix the door frame onto both of the side plates

④



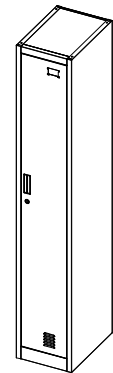
Install the top and bottom plate respectively

⑤



Install the shelf and hanging rod

⑥



Adjust each part till fit well after installation.