
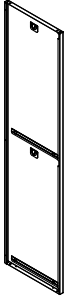
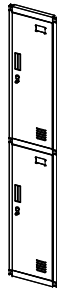
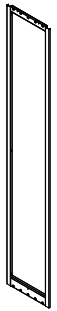
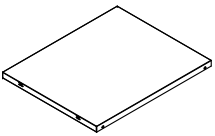
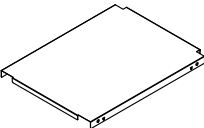

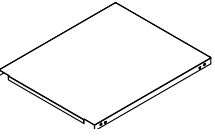

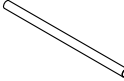

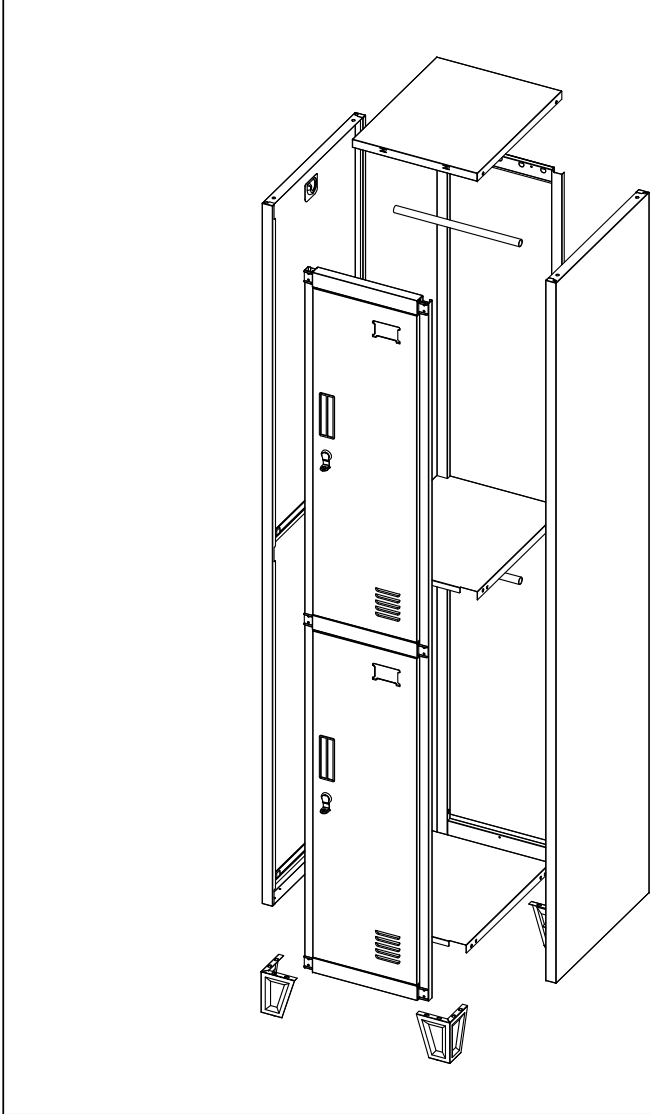


# Installation:

 <p>Left Side:1Pc</p>	 <p>Right Side:1Pc</p>	 <p>Door Frame:1Pc</p>	 <p>Back Plate:1Pc</p>	 <p>Top Plate:1Pc</p>	 <p>Middle plate:1pcs</p>	 <p>Self-tapping Screw(5x12):24Pcs</p>	
				 <p>Bottom Plate:1Pc</p>	 <p>Standing Feet:4Pcs</p>	 <p>Hanging Rod 2Pc</p>	 <p>Key:2 Set</p>



①

Bolt the left side and back plate with self-tapping screws(5x12)

②

Bolt the right plate and back plate in the same way as the first step

③

Fix the door frame onto both of the side plates

④

Fix the top pate ,bottom plate and middle plate with self-tapping screw 5\*12

⑤

Install the hanging rod

⑥

Install the standing feet with self-tapping screws(5x12), then adjust each part till fit well after installation.