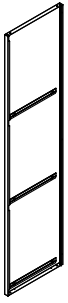

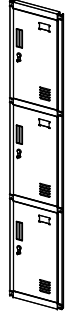

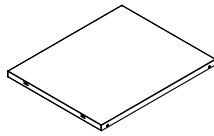
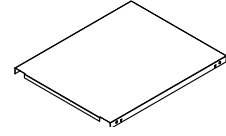
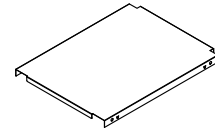
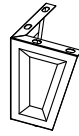


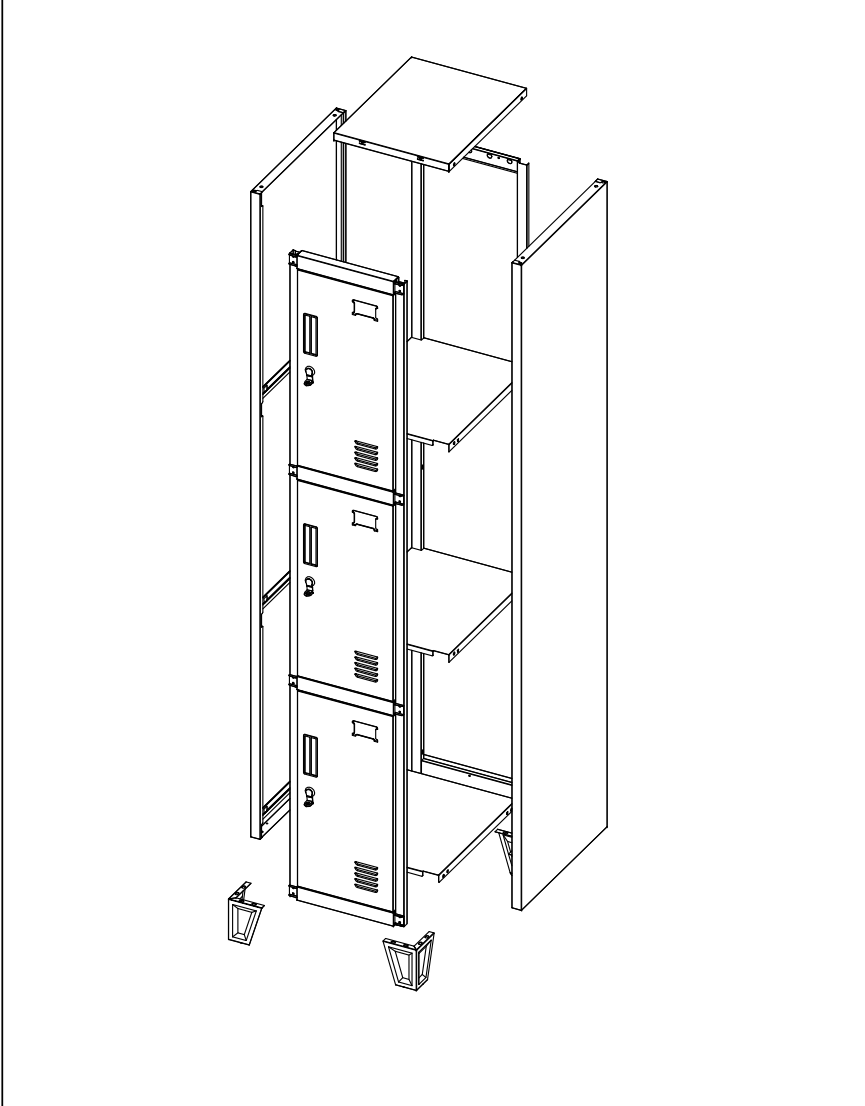
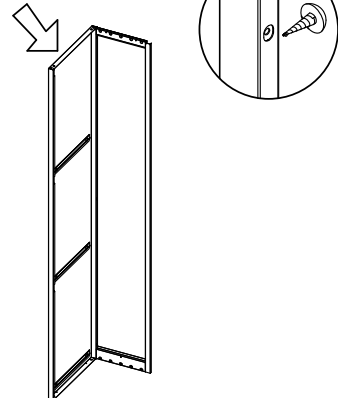


# Installation:

 <p>Left Side:1Pc</p>	 <p>Right Side:1Pc</p>	 <p>Door Frame:1Pc</p>	 <p>Back Plate:1Pc</p>	 <p>Top Plate:1Pc</p>	 <p>Bottom Plate:1Pc</p>	 <p>Middle plate:2pcs</p>	 <p>Standing Feet:4Pcs</p>	 <p>Self-tapping Screw(5x12):24Pcs</p>	 <p>Key:3 Set</p>
--	---	--	--	---	---	--	---	---	--

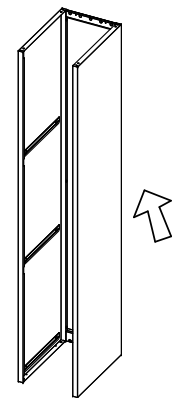


①



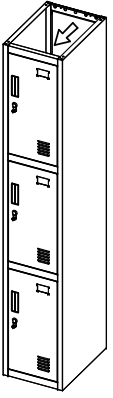
Bolt the left side and back plate with self-tapping screws(5x12)

②



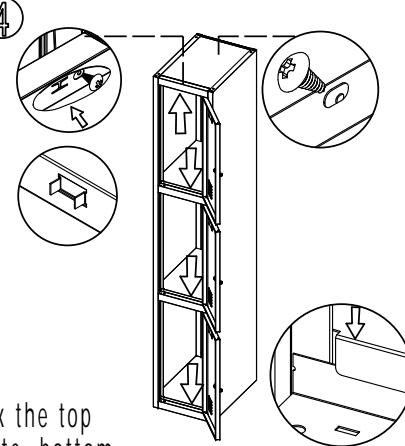
Bolt the right plate and back plate in the same way as the first step

③



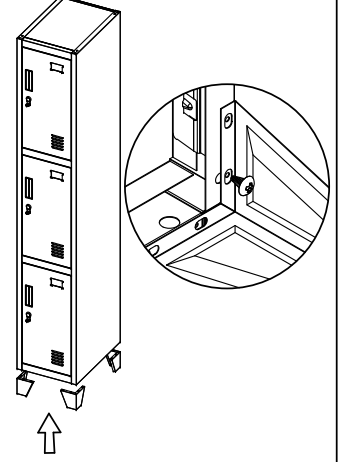
Fix the door frame onto both of the side plates

④



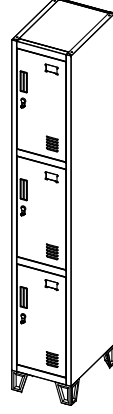
Fix the top plate ,bottom plate and middle plate with self-tapping screw 5\*12

⑤



Install the standing feet with screws(5x12)

⑥



Adjust each part till fit well after installation.