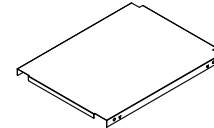
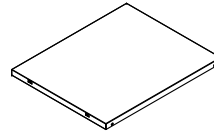
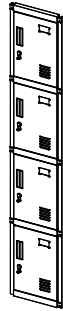
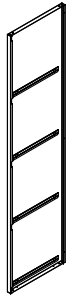


# Installation:



Self-tapping  
Screw(5x12):24Pcs



Key:4 Set

Left Side:1Pc

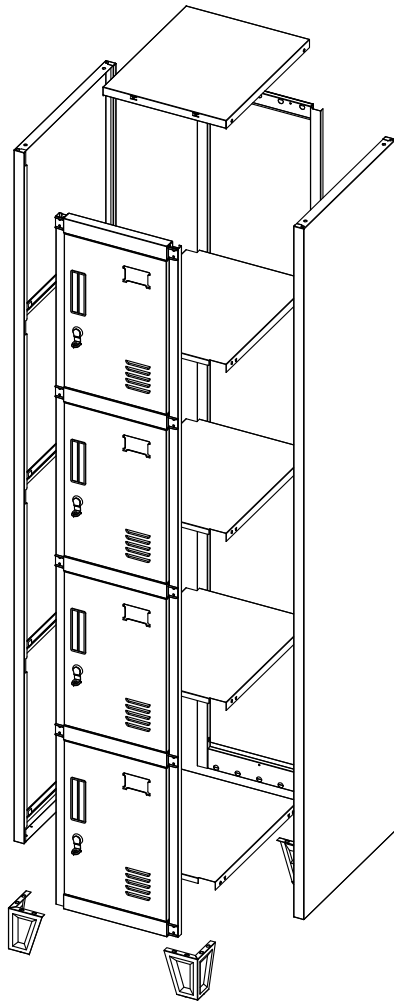
Right Side:1Pc

Door Frame:1Pc

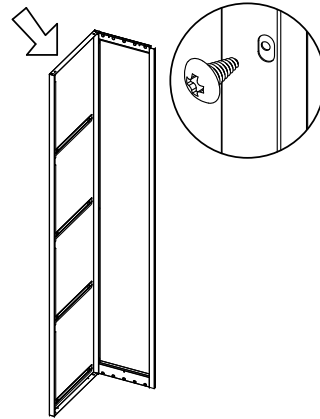
Back Plate:1Pc

Bottom Plate:1Pc

Standing  
Feet:4Pcs

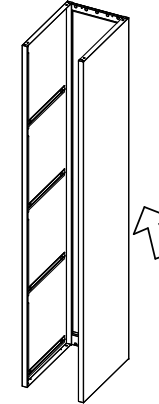


①



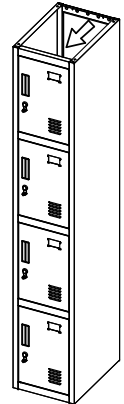
Bolt the left side and back  
plate with self-tapping  
screws(5x12)

②



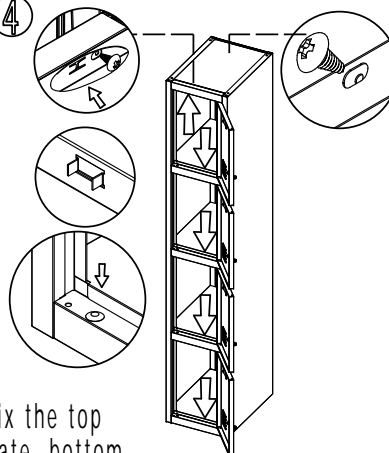
Bolt the right plate and back  
plate in the same way as the  
first step

③



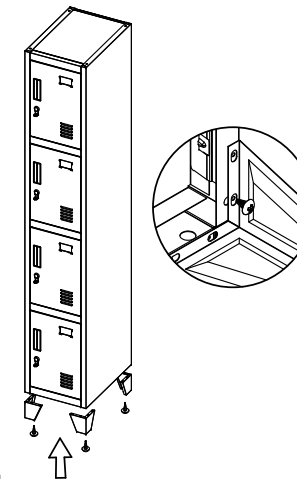
Fix the door frame onto both of  
the side plates

④



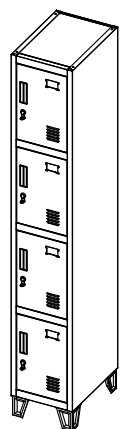
Fix the top  
pate ,bottom  
plate and middle  
plate with self-tapping screw 5\*12

⑤



Install the  
standing feet with screws(5x12)

⑥



Adjust each part  
till fit well after installation.