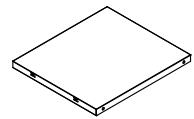


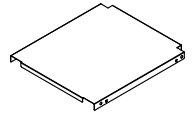
Back Plate:1Pc



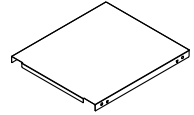
Door Frame:1Pc



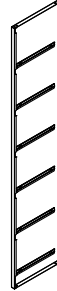
Top Plate:1Pc



Middle plate:5pcs



Bottom Plate:1Pc



Side Plate  
(Left):1Pc



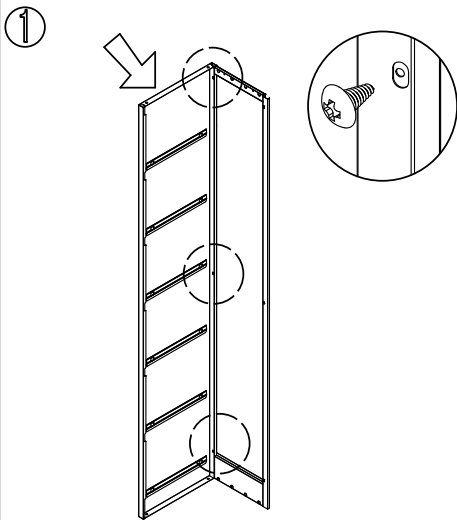
Side Plate  
(Right):1Pc



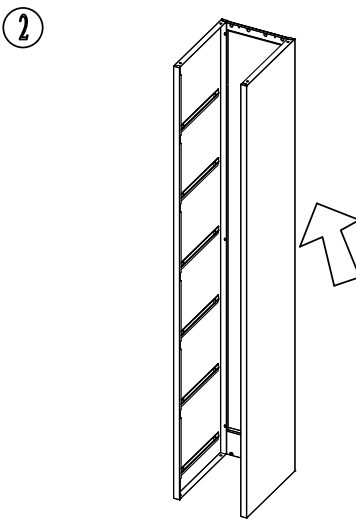
Key:6Pcs



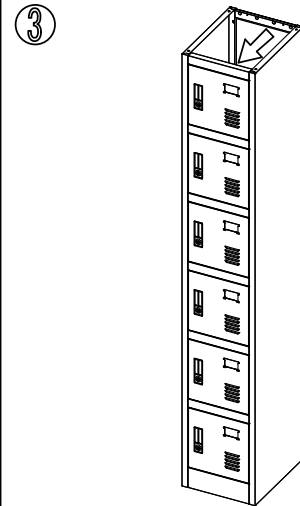
Self-tapping  
Screw(5x12):8Pcs



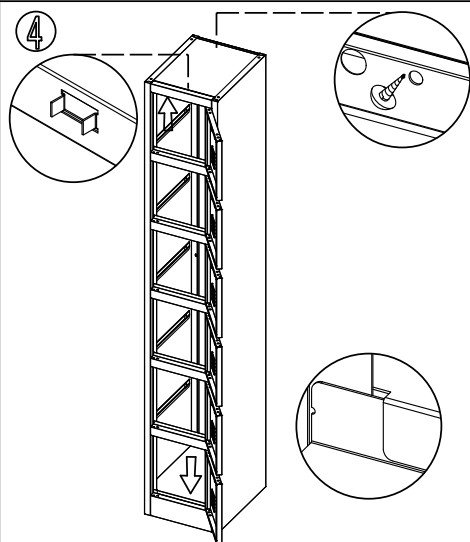
Bolt the side plate and back plate with self-tapping screws(5x12)



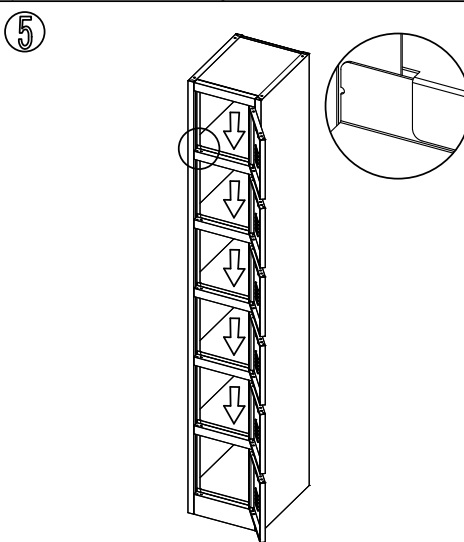
Bolt the right plate and back plate in the same way as the first step



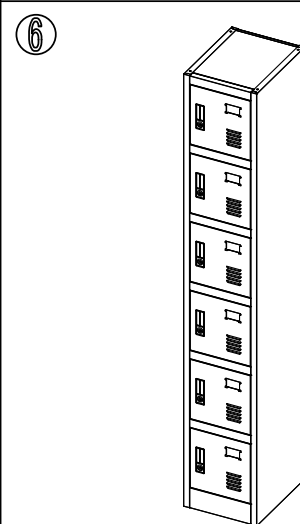
Fix the door frame onto both of the side plates



Install the top and bottom plate respectively



Install the middle plates



Adjust each part till fit well after installation.