

Installation:



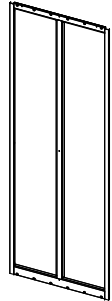
Left Side:1Pc



Right Side:1Pc



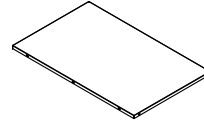
Door Frame:1Pc



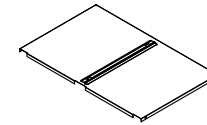
Back Plate:1Pc



Division Plate:
1Pcs

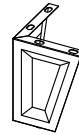
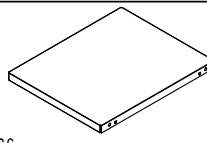


Top Plate:1Pc



Bottom Plate:1Pc

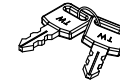
Small Shelves:
Left(Small) 1pcs
Right(Big) 1pcs



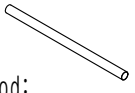
Standing
Feet:4Pcs



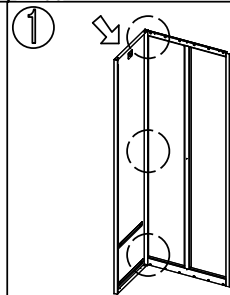
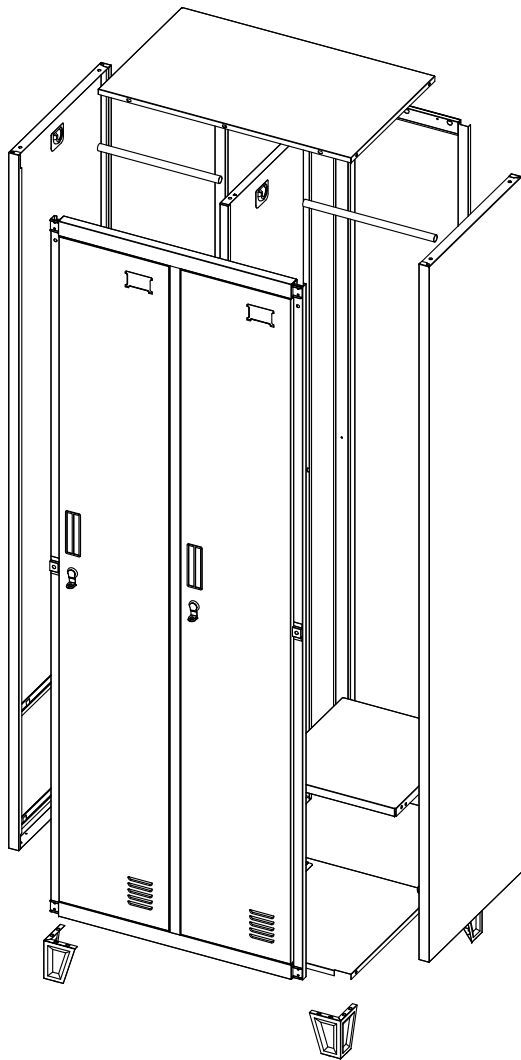
Self-tapping
Screw(5x12):29Pcs



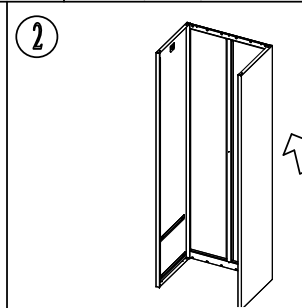
Key:2 Sets



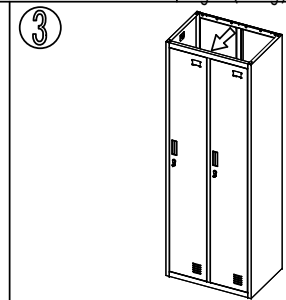
Hanging Rod:
Left(Short)1pc
Right(long)1pc



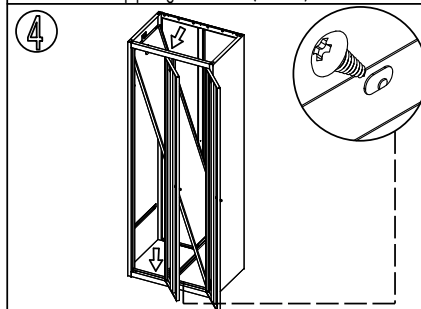
① Bolt the left side and back plate with self-tapping screws(5x12)



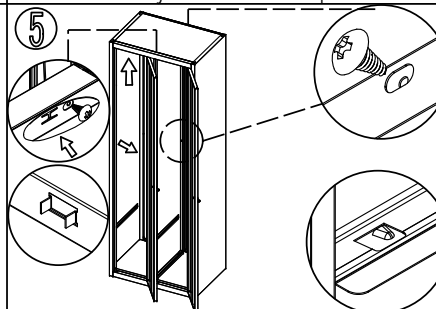
② Bolt the right side with back plate in the same way as the first step



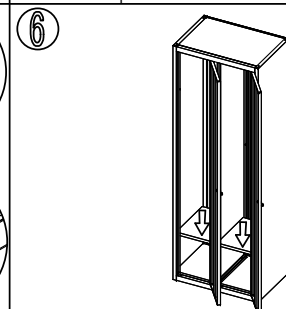
③ Fix the door frame onto both of the side plates



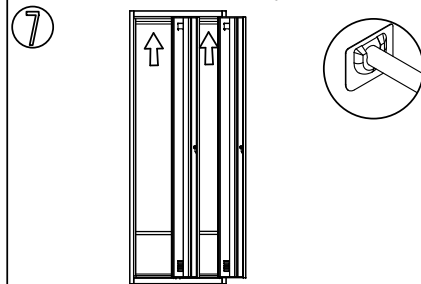
④ Install the bottom plate ,then fix the division plate as the sign



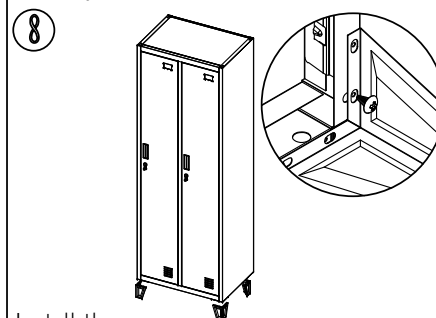
⑤ Install the top plate ,then fix the division plate as the sign



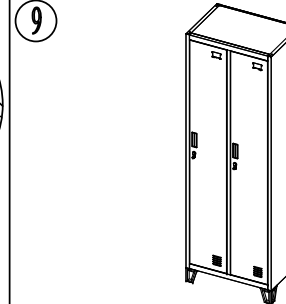
⑥ Fix the small shelves as the sign



⑦ Install the hanging rod.



⑧ Install the standing feet with screws(5x12)



⑨ Adjust each part till fit well after installation.