

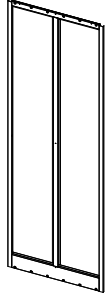
Left Side:1Pc



Right Side:1Pc



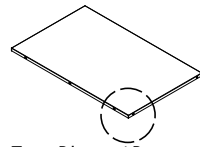
Door Frame:1Pc



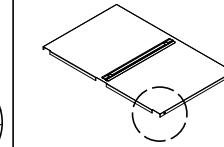
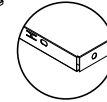
Back Plate:1Pc



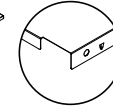
Division Plate:
1Pcs



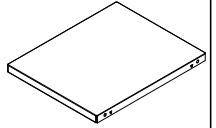
Top Plate:1Pc



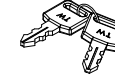
Bottom Plate:1Pc



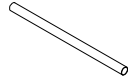
Small Shelves:
Left(Small) 1pcs
Right(Big) 1pcs



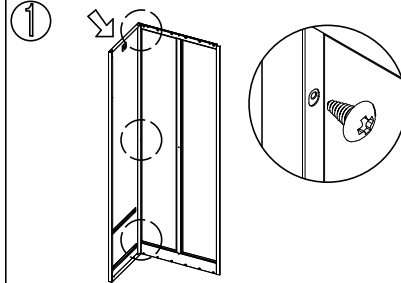
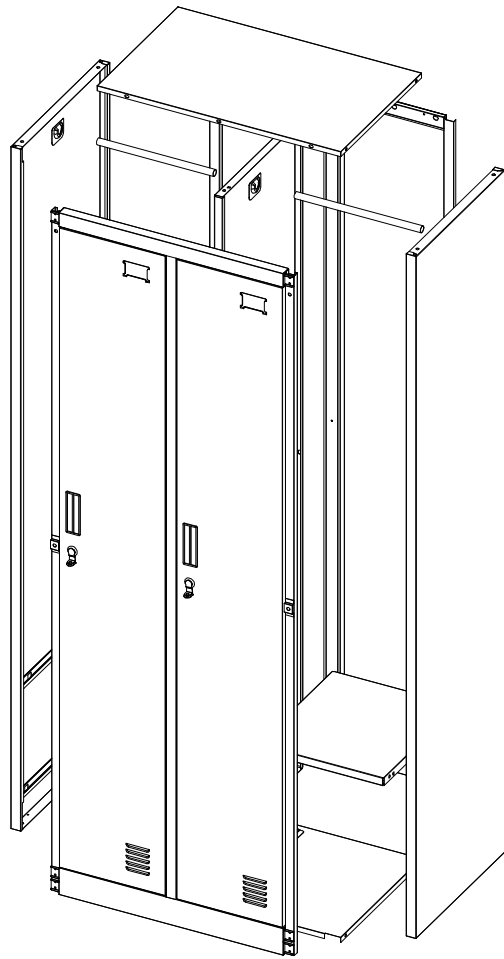
Self-tapping
Screw(5x12):14Pcs



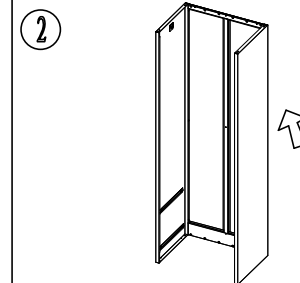
Key:2 Sets



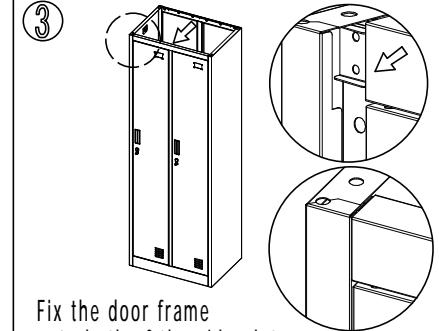
Hanging Rod:
Left(Short)1pc
Right(long)1pc



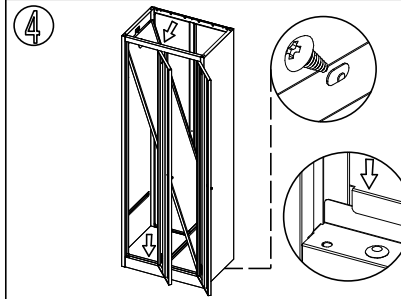
1 Bolt the left side and back plate with self-tapping screws(5x12)



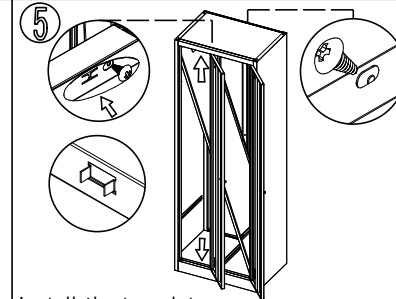
2 Bolt the right side with back plate in the same way as the first step



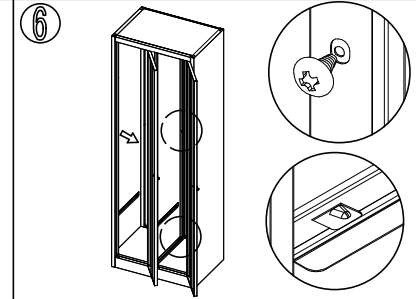
3 Fix the door frame onto both of the side plates



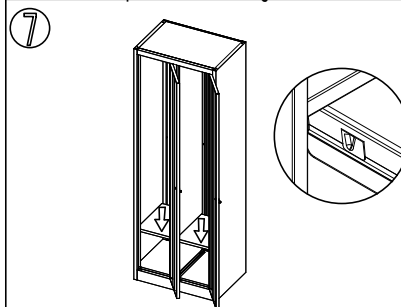
4 Install the bottom plate, then fix the division plate as the sign



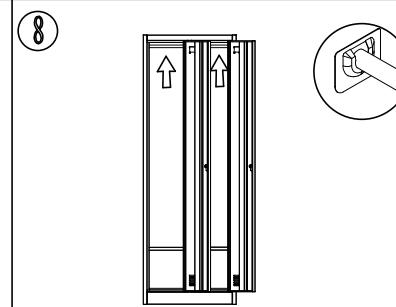
5 Install the top plate and fix it with screws(5x12)



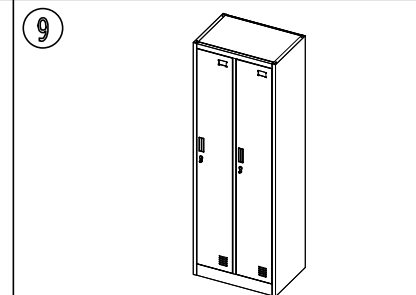
6 Install the divide plate as the sign.



7 Fix the small shelves as the sign



8 Install the hanging rod.



9 Adjust each part till fit well after installation.