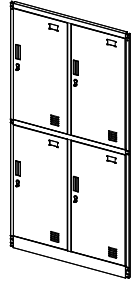




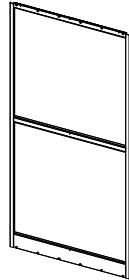
Left Side:1Pc



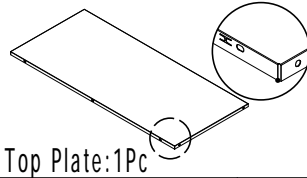
Right Side:1Pc



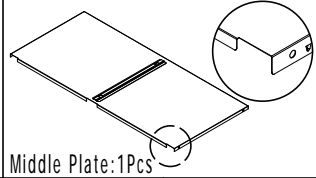
Door Frame:1Pc



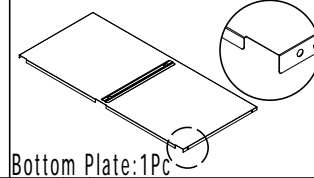
Back Plate:1Pc



Top Plate:1Pc



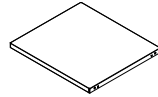
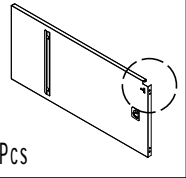
Middle Plate:1Pcs



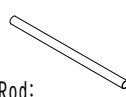
Bottom Plate:1Pc



Upper Division Plate(Small):1Pcs



Small Shelves:
Left(Smalt) 2pcs
Right(Big) 2pcs



Hanging Rod:
Left(Short)2pc
Right(long)2pc



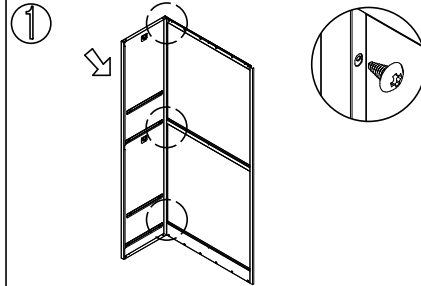
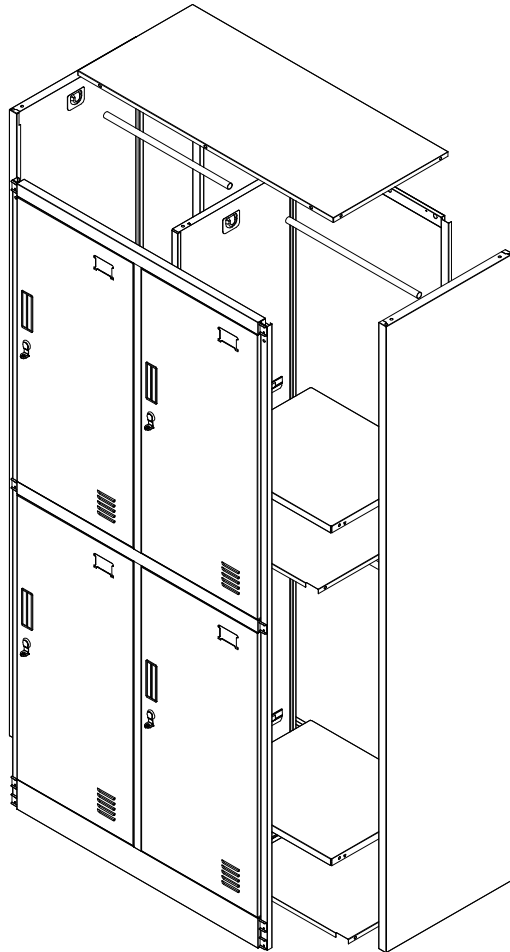
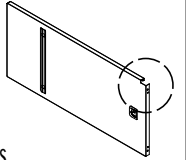
Self-tapping
Screw(5x12):
14Pcs



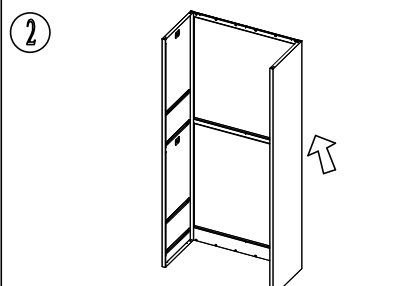
Key:4 Sets



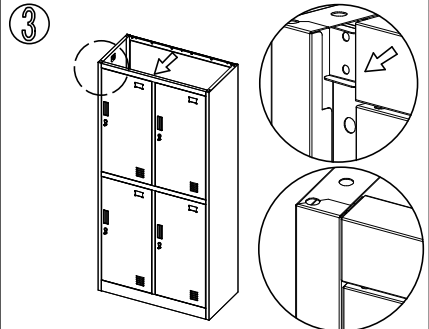
Lower Division Plate(Big):1Pcs



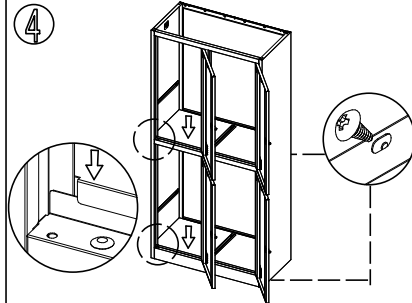
1 Bolt the left side and back plate with self-tapping screws(5x12)



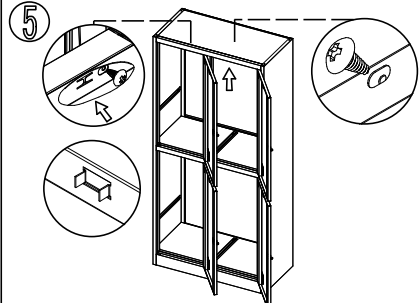
2 Bolt the right side with back plate in the same way as the first step



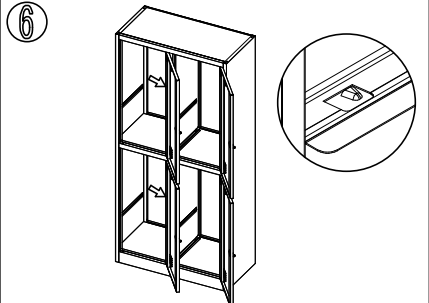
3 Fix the door frame onto both of the side plates



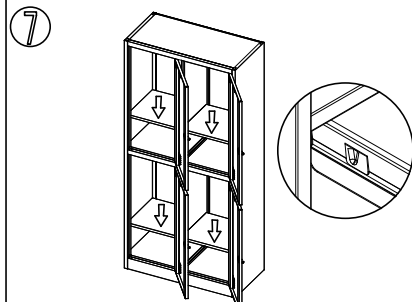
4 Install the middle plate and bottom plate as the drawing.



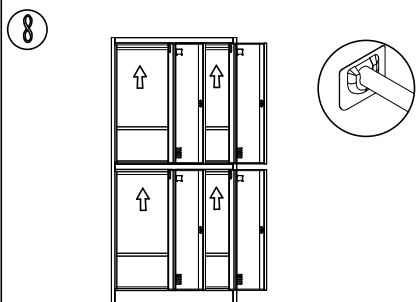
5 Install the top plate as the drawings.



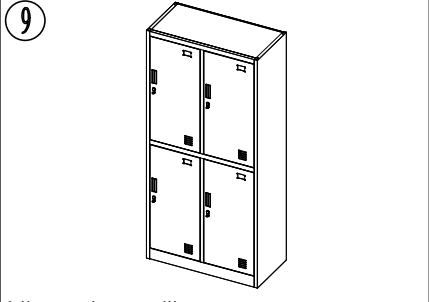
6 Install the division plate as the drawing



7 Fix the small shelves as the sign



8 Install the hanging rod.



9 Adjust each parts till fit well after installation