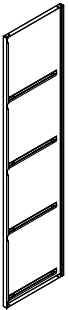
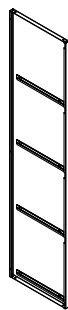

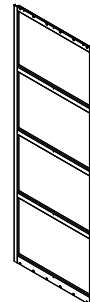
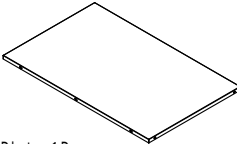
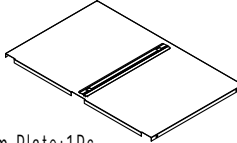
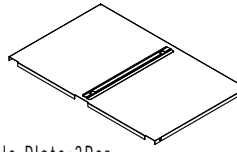


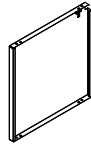
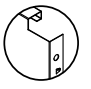
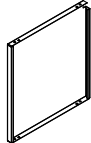


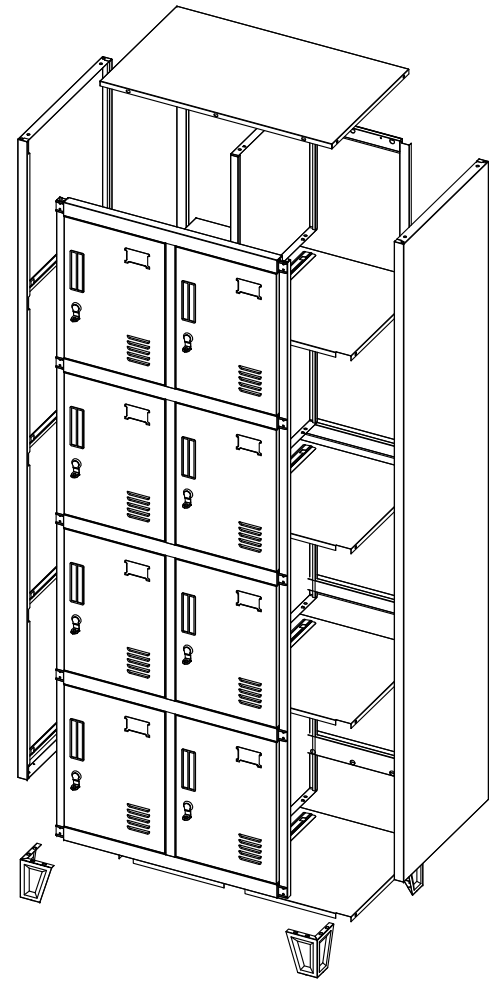
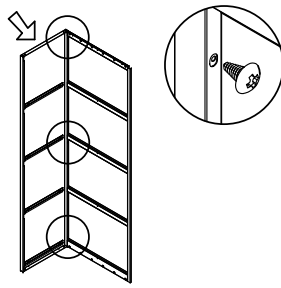


Installation:

 <p>Left Side:1Pc</p>	 <p>Right Side:1Pc</p>	 <p>Door Frame:1Pc</p>	 <p>Back Plate:1Pc</p>	 <p>Top Plate:1Pc</p>	 <p>Bottom Plate:1Pc</p>	 <p>Middle Plate:3Pcs</p>	 <p>Standing Feet:4Pcs</p>	  <p>Upper Division Plate(Small):1Pcs</p>	  <p>Lower Division Plate(Big):3Pcs</p>	 <p>Self-tapping Screw(5x12): 28Pcs</p>	 <p>Key:12 Sets</p>
---	--	---	---	---	---	---	---	---	---	---	--

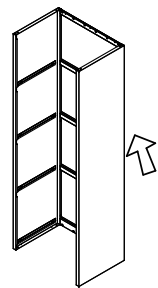


①



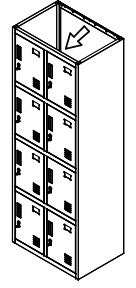
Bolt the left side and back plate with self-tapping screws(5x12)

②



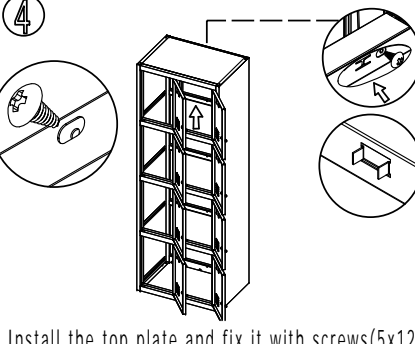
Bolt the right side with back plate in the same way as the first step

③



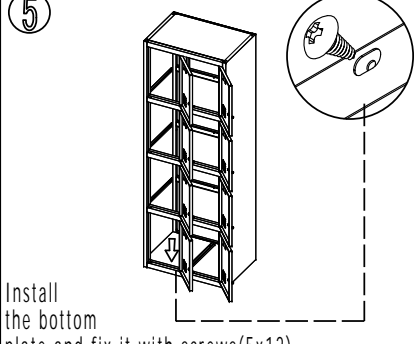
Fix the door frame onto both of the side plates

④



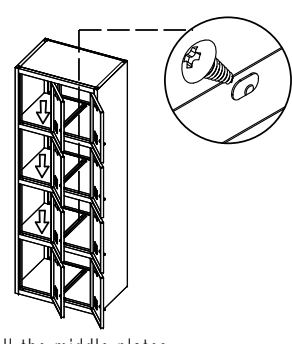
Install the top plate and fix it with screws(5x12)

⑤



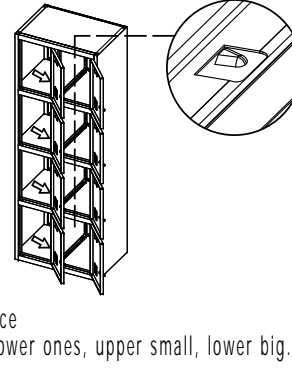
Install the bottom plate and fix it with screws(5x12)

⑥



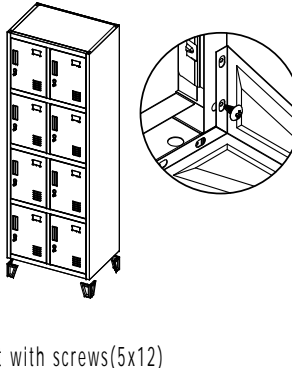
Install the middle plates

⑦



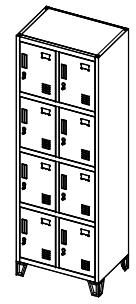
Install the division plates. (Pay attention to the difference of upper and lower ones, upper small, lower big.)

⑧



Install the standing feet with screws(5x12)

⑨



Adjust each part till fit well after installation.