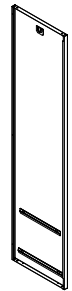
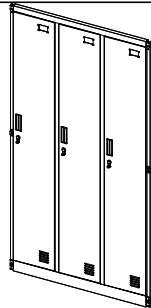




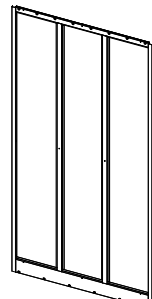
Left Side:1Pc



Right Side:1Pc



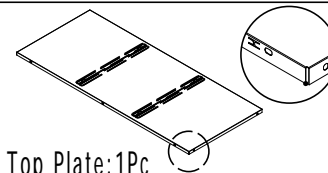
Door Frame:1Pc



Back Plate:1Pc



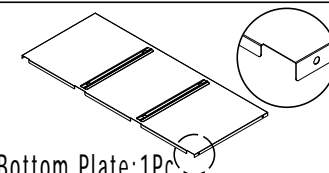
Division Plate:  
2Pcs



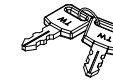
Top Plate:1Pc



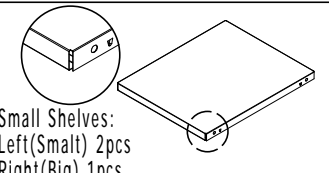
Self-tapping  
Screw(5x12):16Pcs



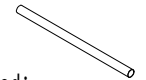
Bottom Plate:1Pc



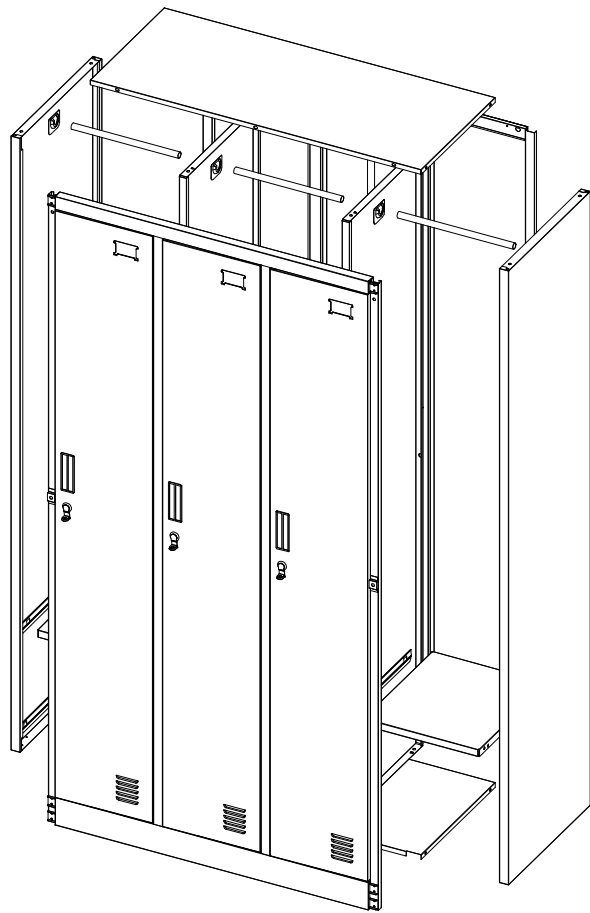
Key:3 Sets



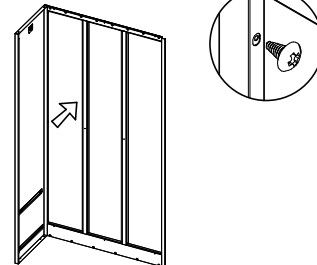
Small Shelves:  
Left(Small) 2pcs  
Right(Big) 1pcs



Hanging Rod:  
Left(Short)2pc  
Right(long)1pc

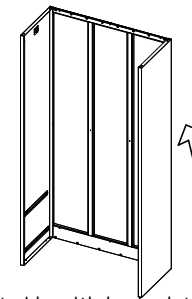


①



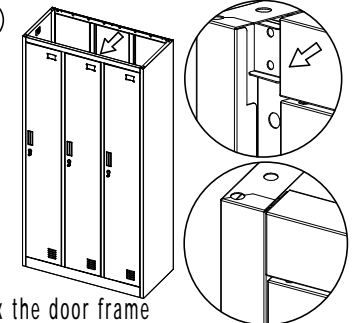
Bolt the left side and back plate  
with self-tapping screws(5x12)

②



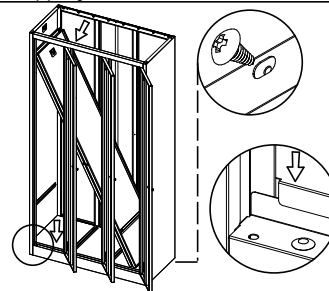
Bolt the right side with back plate  
in the same way as the first step

③



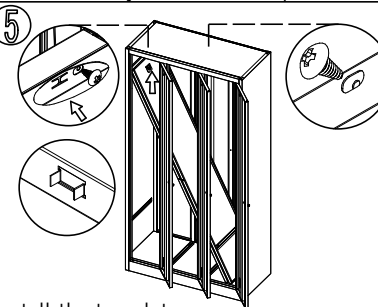
Fix the door frame  
onto both of the side plates

④



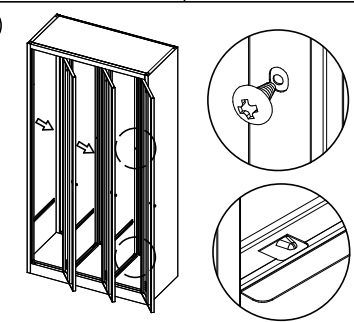
Install the bottom plate ,then fix  
the division plate as the sign

⑤



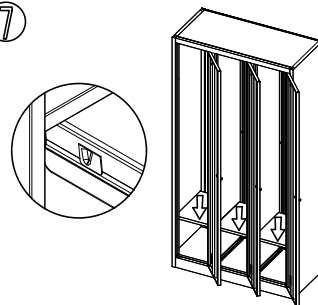
Install the top plate  
and fix it with screws(5x12)

⑥



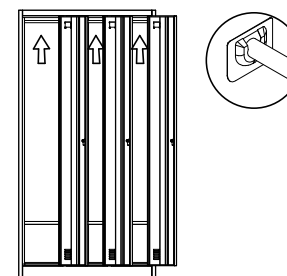
Fix the division plates.

⑦

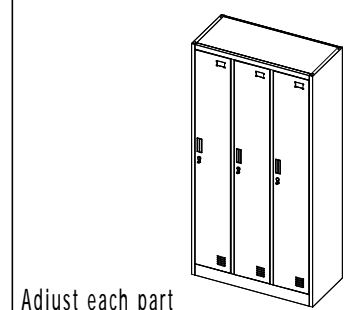


Fix the small shelves as the sign

⑧



Install the hanging rod.



Adjust each part  
till fit well after installation.