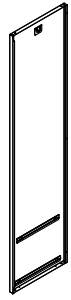
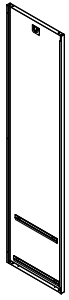


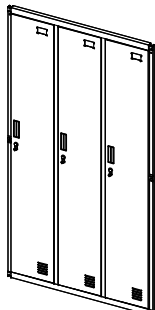
# Installation:



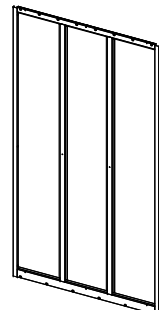
Left Side:1Pc



Right Side:1Pc



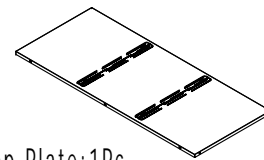
Door Frame:1Pc



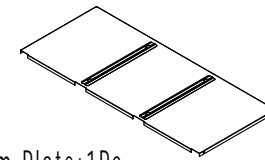
Back Plate:1Pc



Division Plate:  
2Pcs

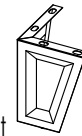
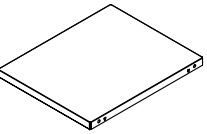


Top Plate:1Pc



Bottom Plate:1Pc

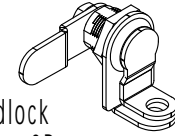
Small Shelves:  
Left(Smalt) 2pcs  
Right(Big) 1pcs



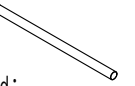
Standing Feet  
4Pcs



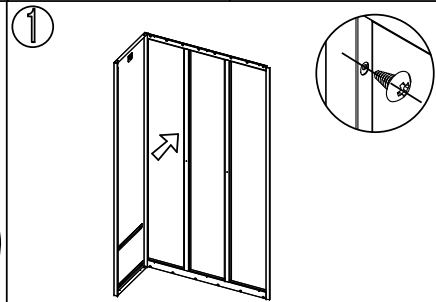
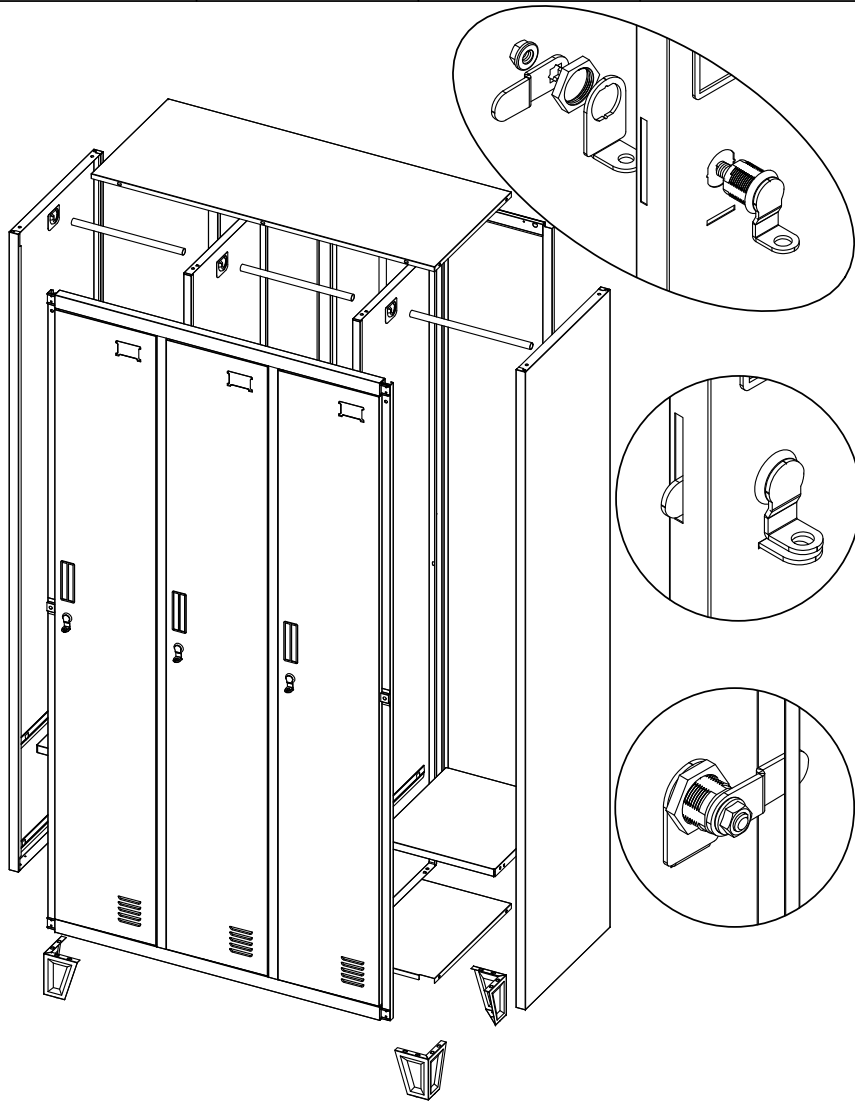
Self-tapping  
Screw(5x12): 33Pcs



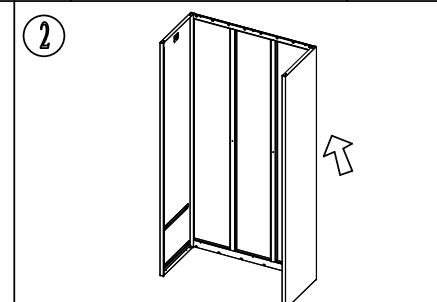
Padlock  
Hasp: 3Pcs



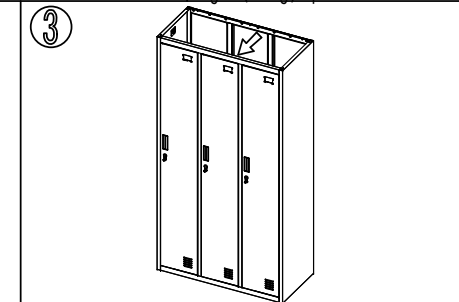
Hanging Rod:  
Left(Short)2pc  
Right(long)1pc



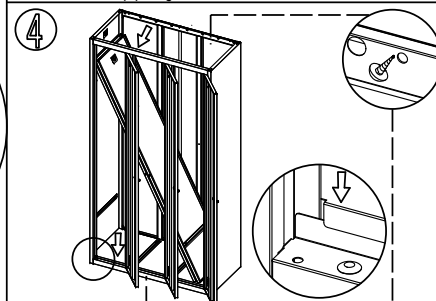
1 Bolt the left side and back plate with self-tapping screws(5x12)



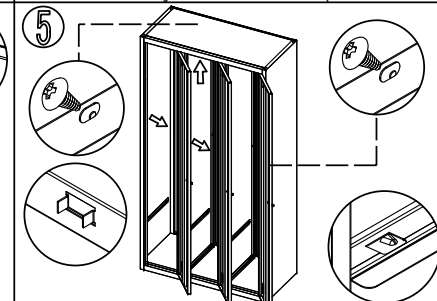
2 Bolt the right side with back plate in the same way as the first step



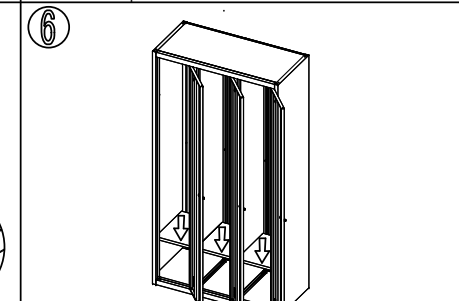
3 Fix the door frame onto both of the side plates



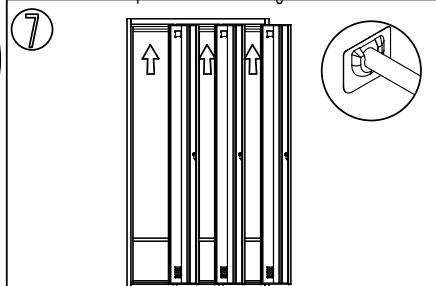
4 Install the bottom plate, then fix the division plate as the sign



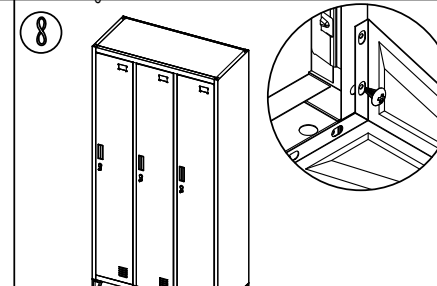
5 Install the top plate, then fix the division plate as the sign



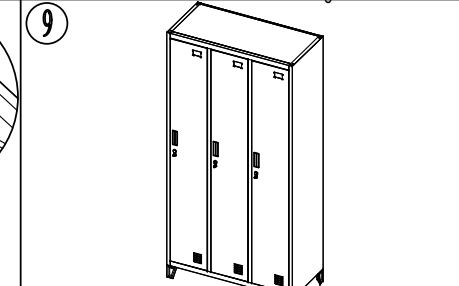
6 Fix the small shelves as the sign



7 Install the hanging rod.



8 Install the standing feet with screws(5x12)



9 Adjust each part till fit well after installation.