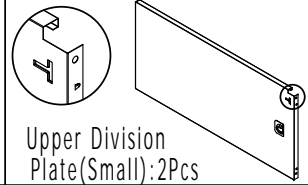
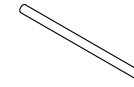
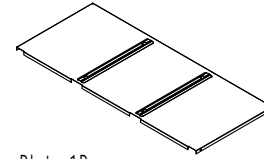
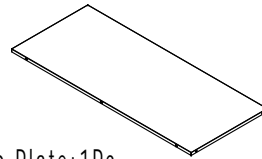
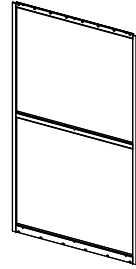
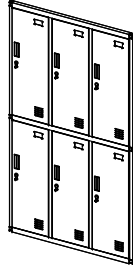
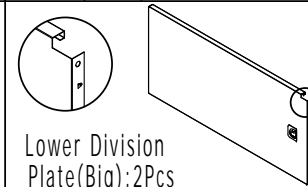


Installation:



Upper Division Plate (Small): 2Pcs



Lower Division Plate (Big): 2Pcs

Hanging Rod: Left (Short) 4pc
Right (long) 2pc

Left Side: 1Pc

Right Side: 1Pc

Door Frame: 1Pc

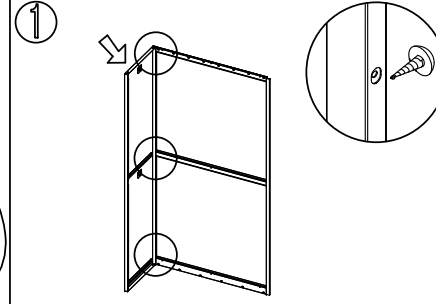
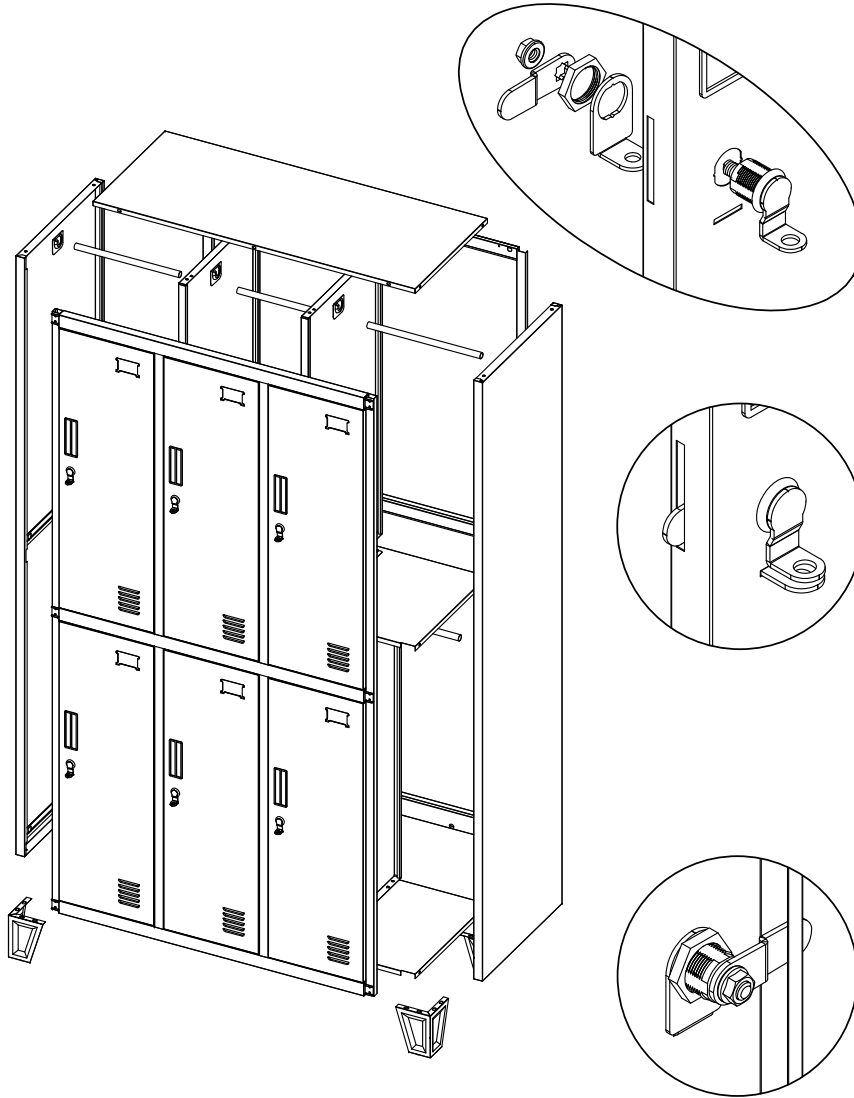
Back Plate: 1Pc

Bottom Plate: 1Pc

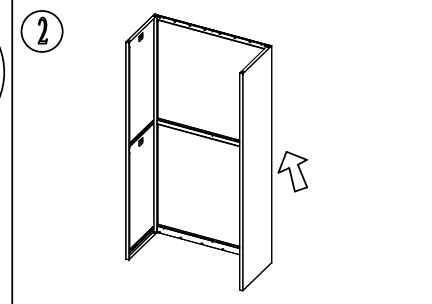
Standing Feet
4Pcs

Self-tapping
Screw (5x12): 27Pcs

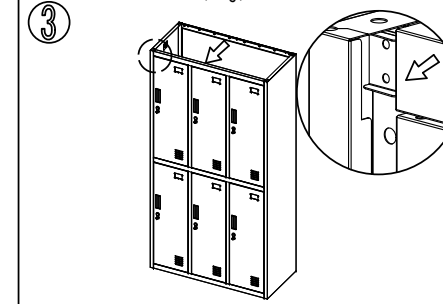
Padlock
Hasp: 6Pcs



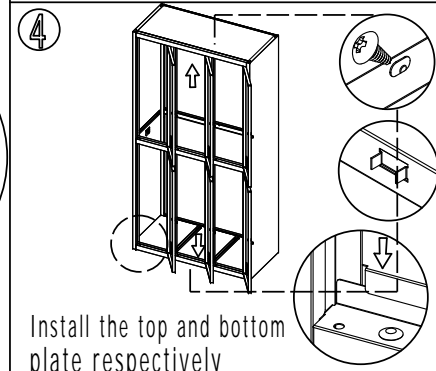
Bolt the left side and back plate with self-tapping screws (5x12)



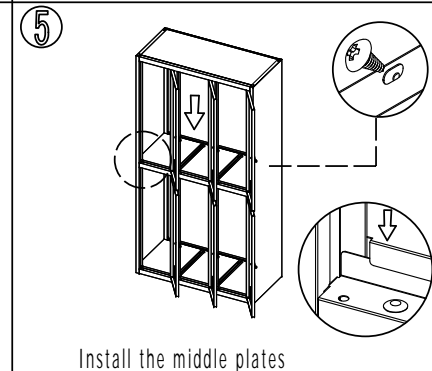
Bolt the right side with back plate in the same way as the first step



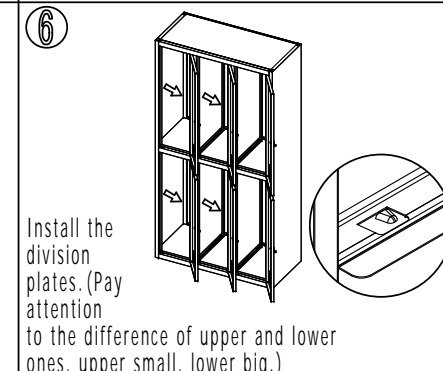
Fix the door frame onto both of the side plates



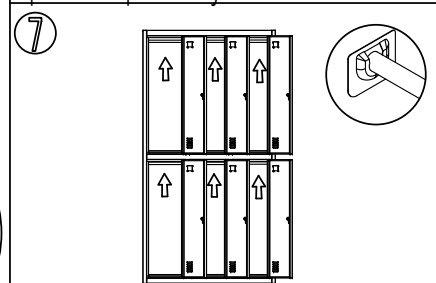
Install the top and bottom plate respectively



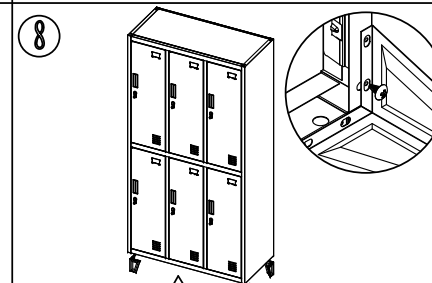
Install the middle plates



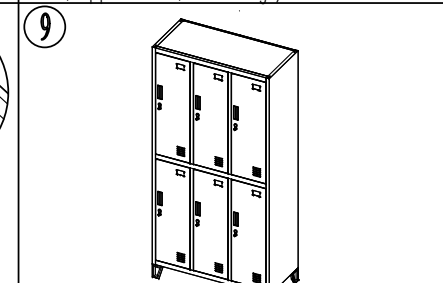
Install the division plates. (Pay attention to the difference of upper and lower ones, upper small, lower big.)



Install the hanging rod as the sign



Install the standing feet with screws (5x12)



Adjust each part till fit well after installation.