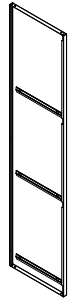
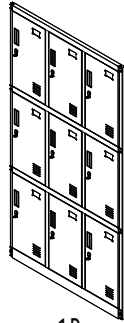


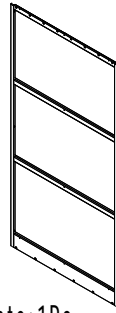
Left Side:1Pc



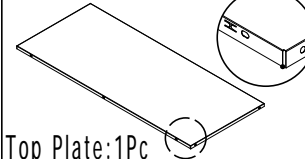
Right Side:1Pc



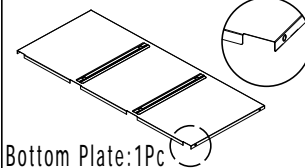
Door Frame:1Pc



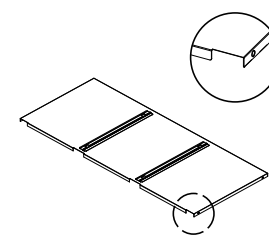
Back Plate:1Pc



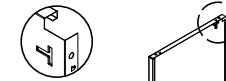
Top Plate:1Pc



Bottom Plate:1Pc



Middle Plate:2Pcs



Upper Division Plate(Small):2Pcs



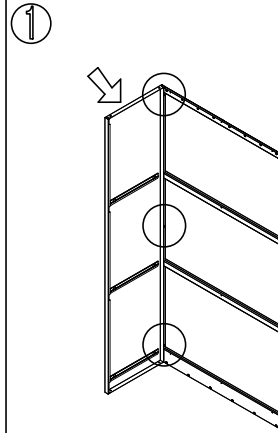
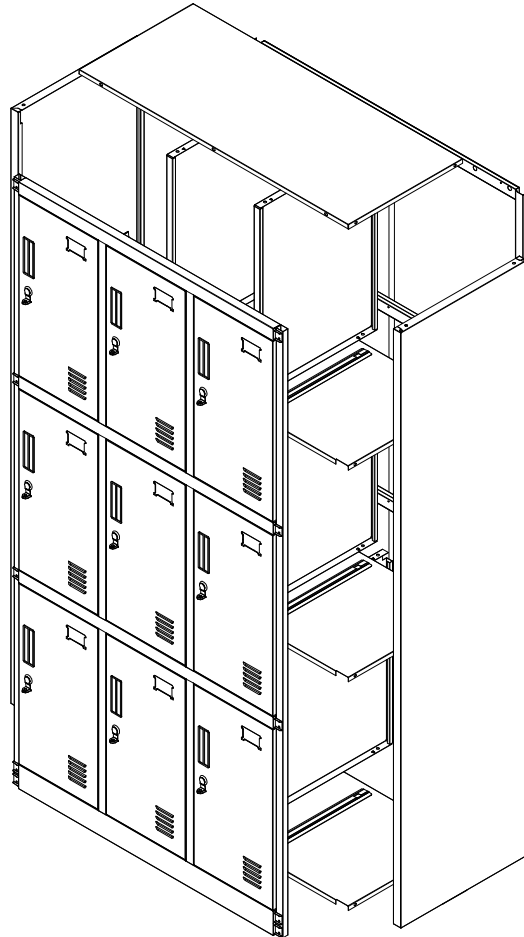
Self-tapping Screw(5x12): 12Pcs



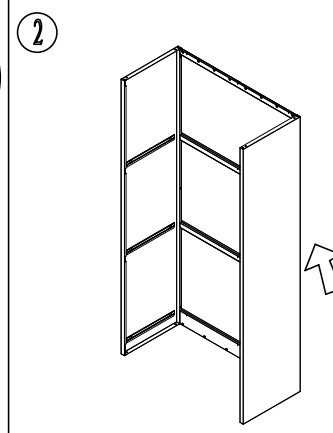
Lower Division Plate(Big):4Pcs



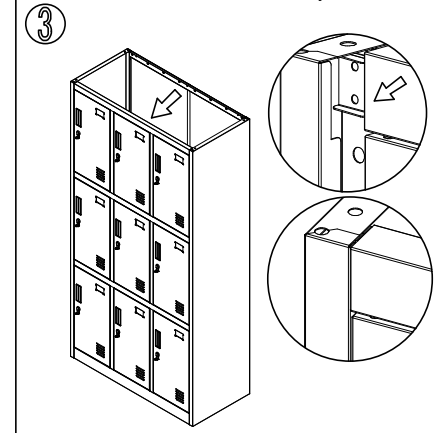
Key:9 Sets



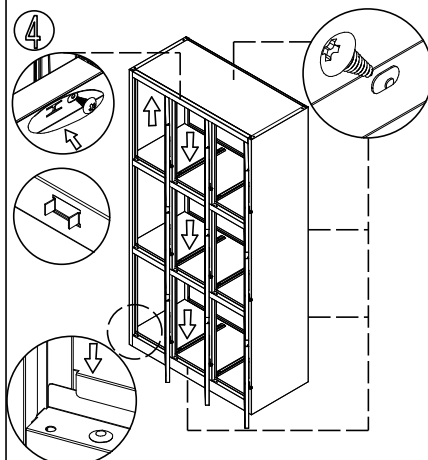
1 Bolt the left side and back plate with self-tapping screws(5x12)



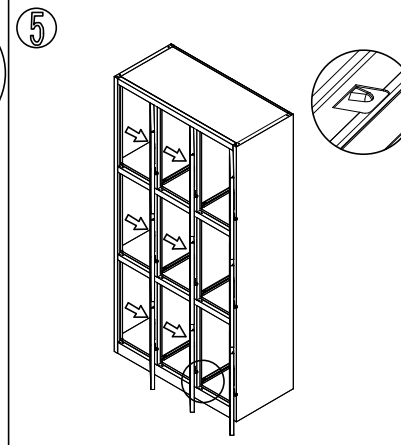
2 Bolt the right side with back plate in the same way as the first step



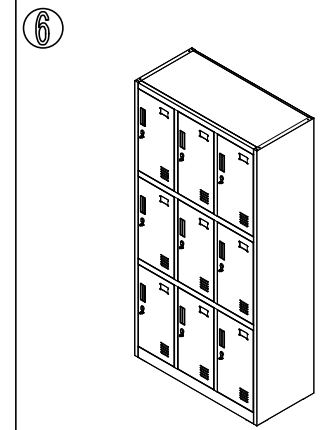
3 Fix the door frame onto both of the side plates



4 Install the top,middle and bottom plates respectively.



5 Install the division plates. (Pay attention to the difference of upper and lower ones, upper small, lower big.)



6 Adjust each part till fit well after installation.