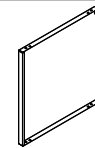
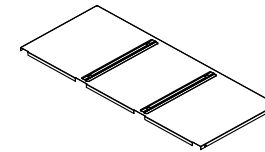
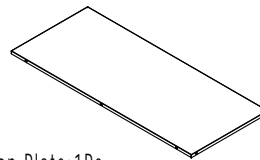
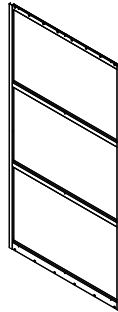
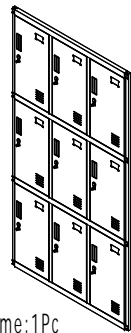
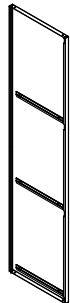
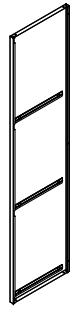
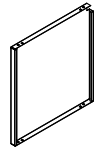


Installation:



Self-tapping
Screw(5x12):
31Pcs



Key:9 Sets

Left Side:1Pc

Right Side:1Pc

Door Frame:1Pc

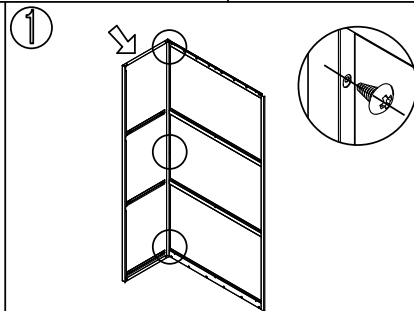
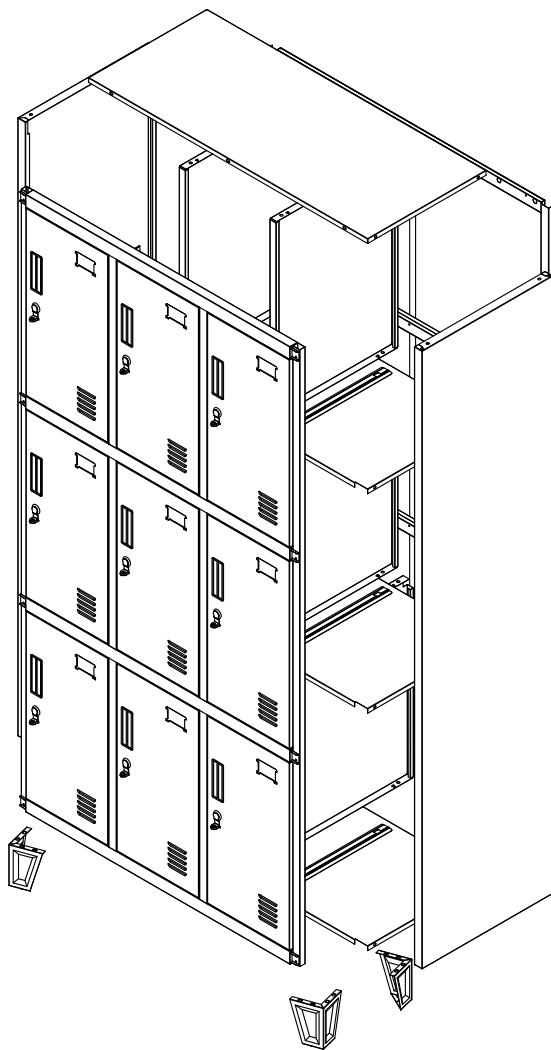
Back Plate:1Pc

Top Plate:1Pc

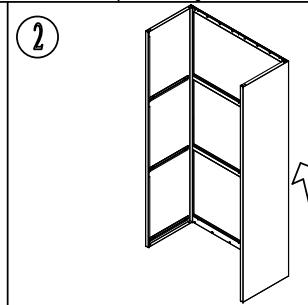
Middle Plate:2Pcs

Upper Division
Plate(Small):2Pcs

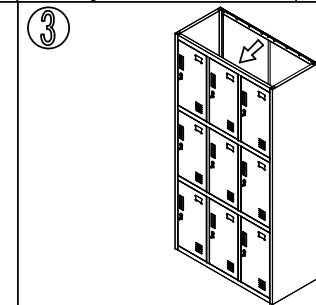
Lower Division
Plate(Big):4Pcs



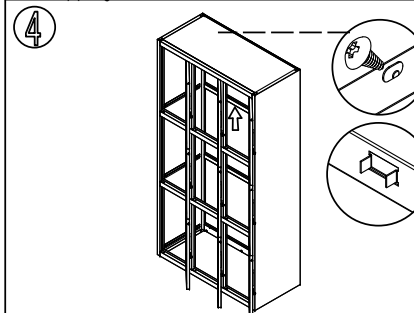
1 Bolt the left side and back plate with self-tapping screws(5x12)



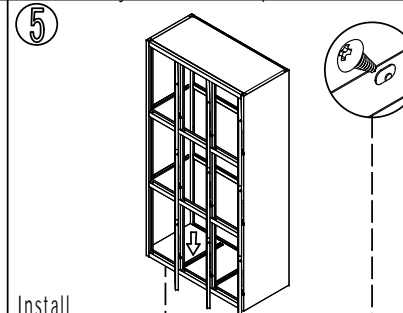
2 Bolt the right side with back plate in the same way as the first step



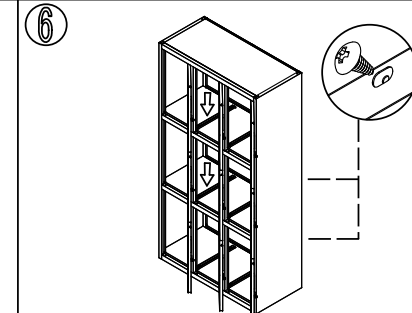
3 Fix the door frame onto both of the side plates



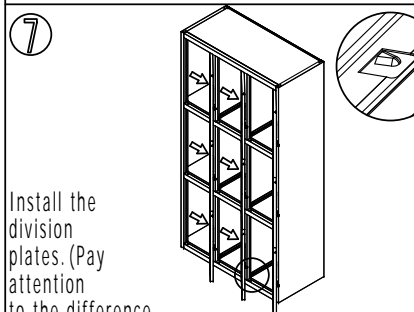
4 Install the top plate and fix it with screws(5x12)



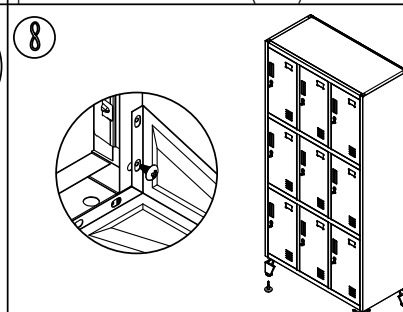
5 Install the bottom plate and fix it with screws(5x12)



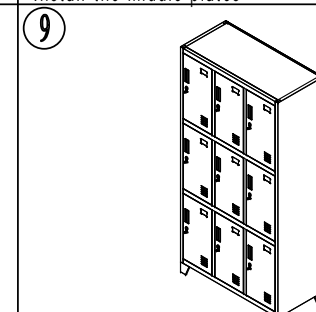
6 Install the middle plates



7 Install the division plates. (Pay attention to the difference of upper and lower ones, upper small, lower big.)



8 Install the standing feet with screws(5x12)



9 Adjust each part till fit well after installation.