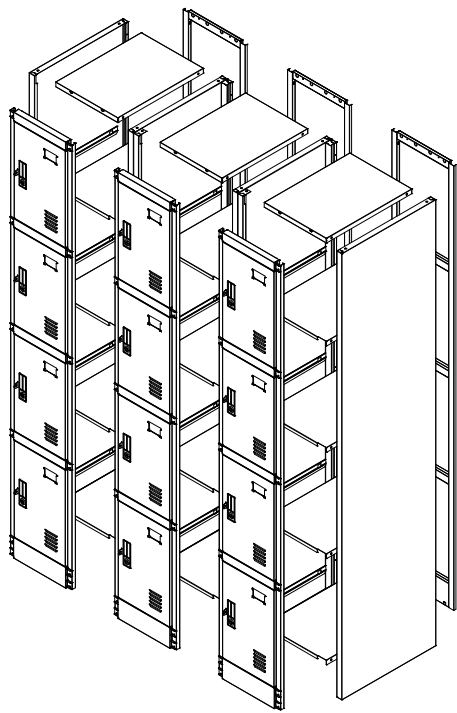


Installation:

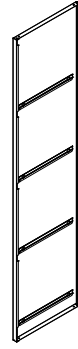


Back Plate: 3Pcs

Door Frame: 3Pcs

Top Plate: 3Pcs

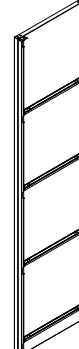
Middle, Bottom Plate: Total 12Pcs



Side Plate (Left): 1Pc



Side Plate (Right): 1Pc



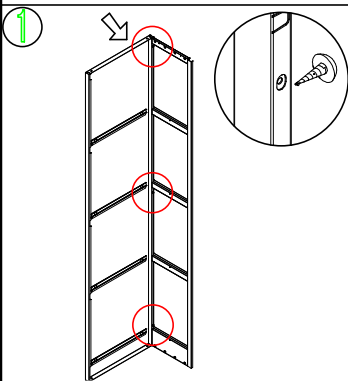
Side Plate (Middle): 2Pcs



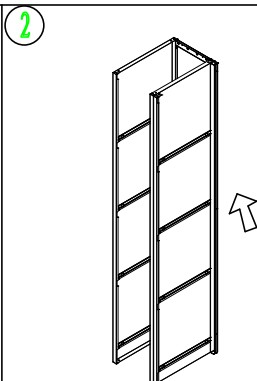
Self-tapping Screw (5x12): 45Pcs



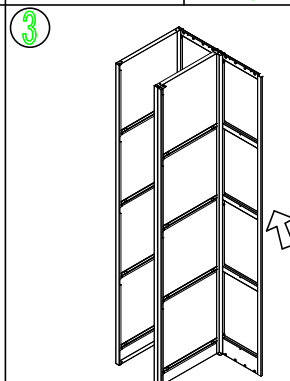
Key: 12Pcs



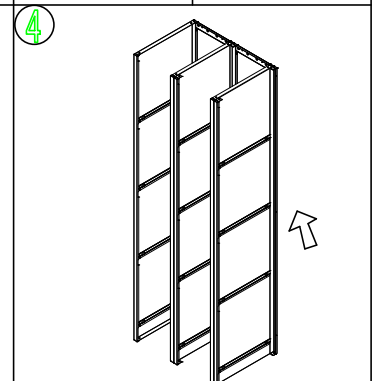
1 Bolt the side plate and back plate with self-tapping screws (5x12)



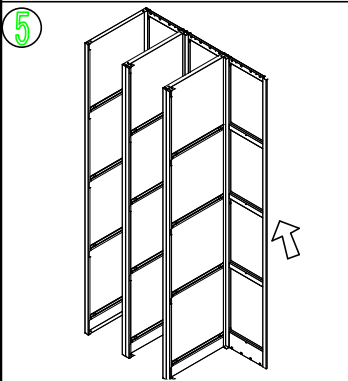
2 Bolt the side plate (middle) and back plate with self-tapping screws (5x12)



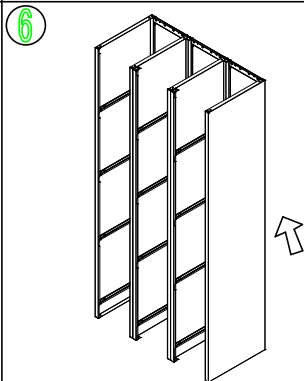
3 Bolt the 2nd back plate and side plate (middle) with self-tapping screws (5x12)



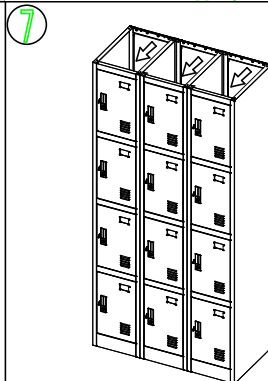
4 Bolt the 2nd side plate (middle) and back plate by self-tapping screws (5x12)



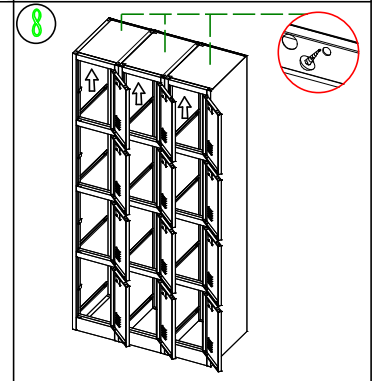
5 Bolt the 3rd back plate and side plate (middle) with self-tapping screws (5x12)



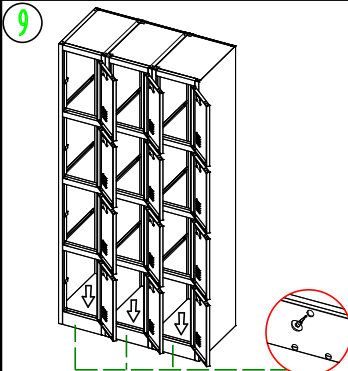
6 Bolt the side plate (right) and back plate with self-tapping screws (5x12)



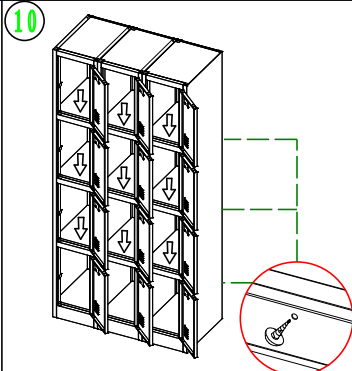
7 Fix the three door frames as the sign.



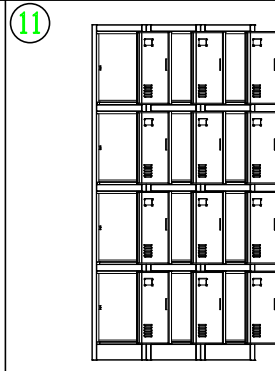
8 Fix the top plates with self-tapping screws (5x12)



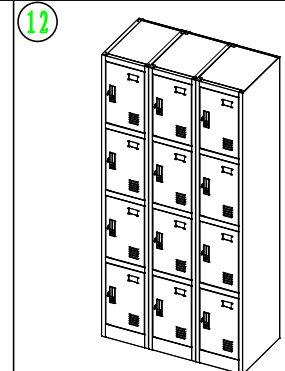
9 Fix the bottom plates with self-tapping screws (5x12)



10 Install the middle plates; bolt them with back plate by self-tapping screws (5x12)



11 Adjust each part till fit well



12 Installation finished.