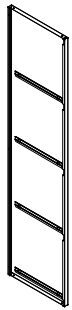
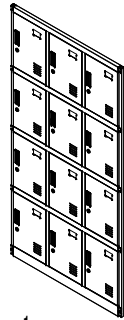


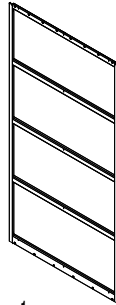
Left Side:1Pc



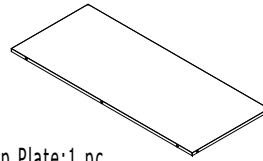
Right Side:1Pc



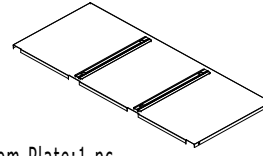
Door Frame:1 pc



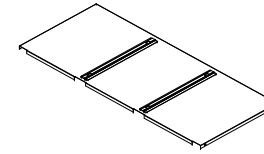
Back Plate:1 pc



Top Plate:1 pc



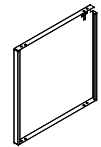
Bottom Plate:1 pc



Middle Plate:3 pcs



Upper Division Plate(Small):2Pcs



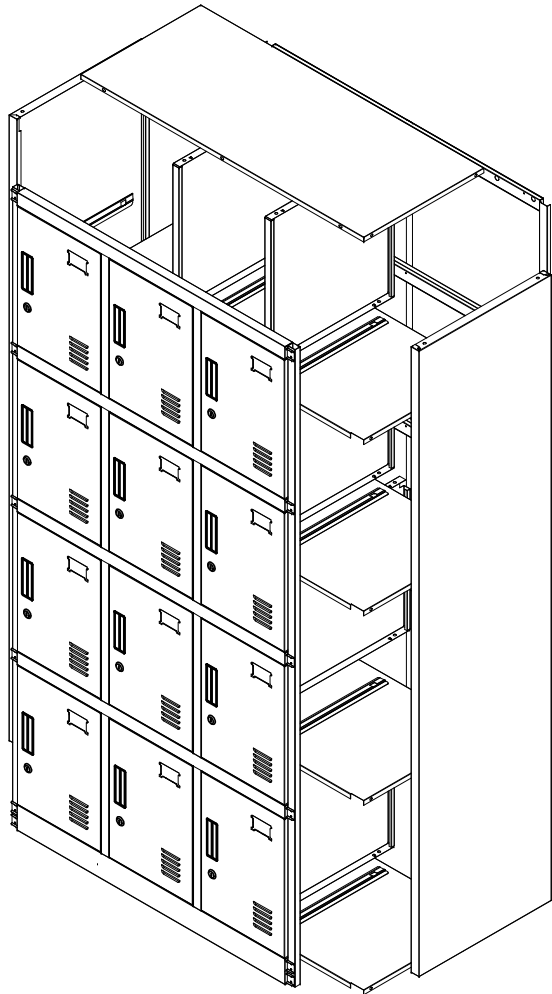
Lower Division Plate(Big):6Pcs



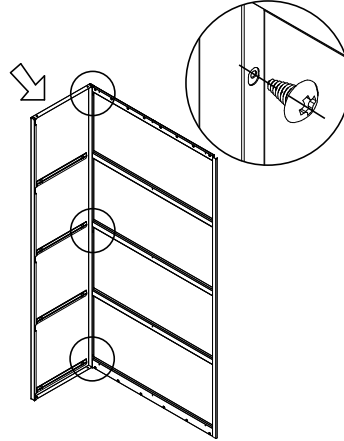
Self-tapping Screw(5X12): 16Pcs



Key:12 pcs

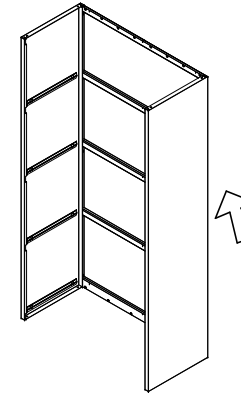


①



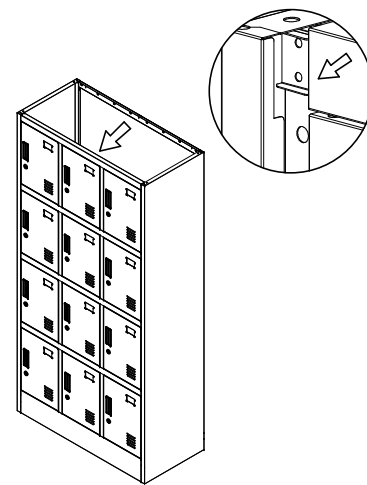
Bolt the side plate and back plate with self-tapping screws(5x10)

②



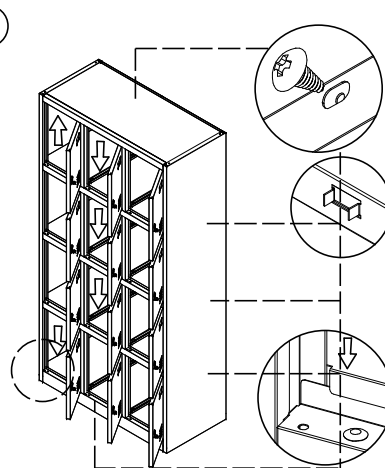
Bolt the other side plate in the same way as the first step

③



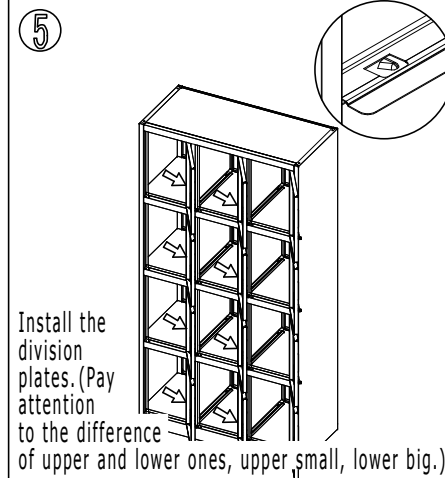
Fix the door frame as the sign

④



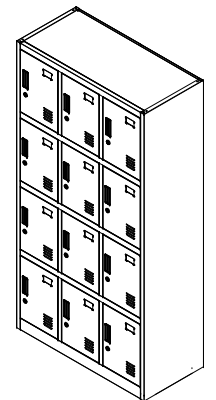
Install the top plate ,bottom plate and middle plate as the sign

⑤



Install the division plates. (Pay attention to the difference of upper and lower ones, upper small, lower big.)

⑥



Adjust each part till fit well after installation