

Left Side:1Pc

Right Side:1Pc

Door Frame:1Pc

Back Plate:1Pc

Top Plate:1Pc

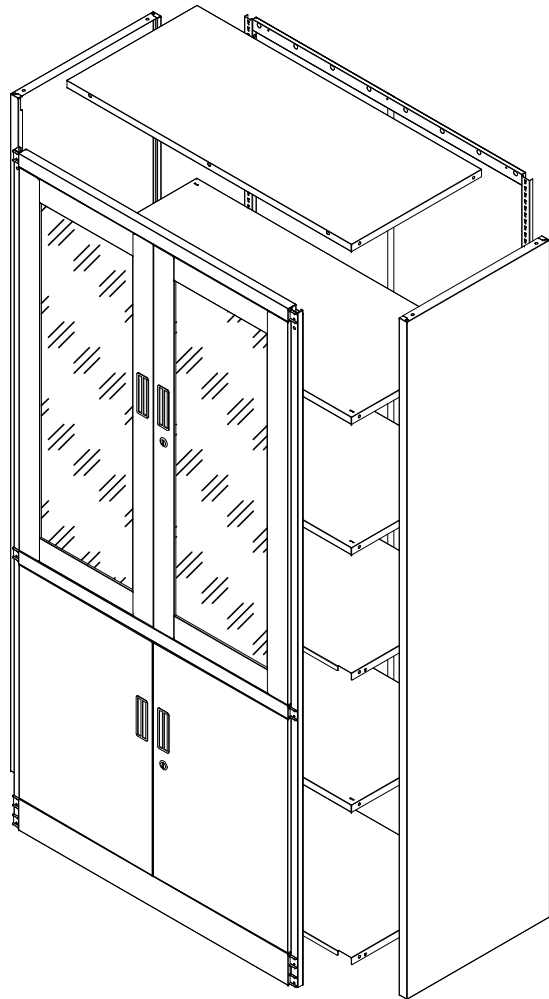
Shelf:3Pc

Middle and Bottom Plate:Total 2Pcs

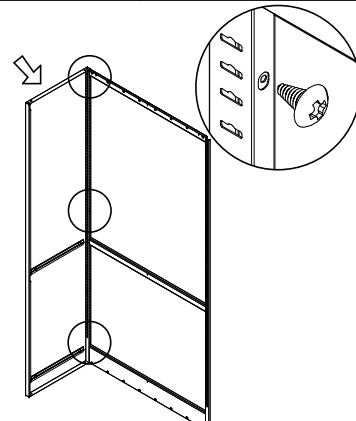
Shelf Holder:12pcs

Self-tapping Screw(5x12):13Pcs

Key:2 Set

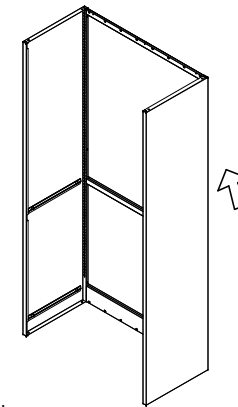


①



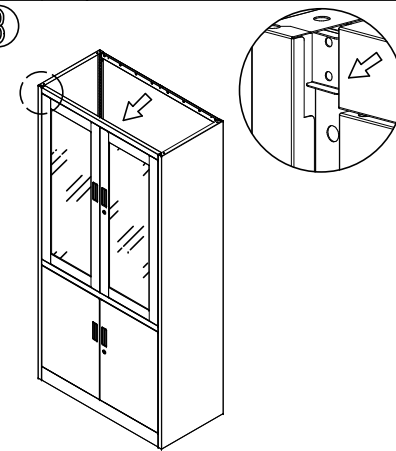
Bolt the left side and back plate with self-tapping screws(5x12)

②



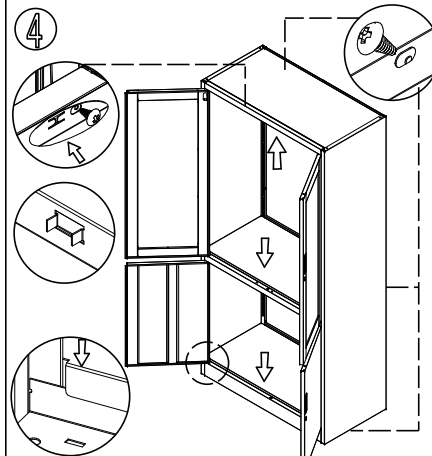
Bolt the right plate and back plate in the same way as the first step

③



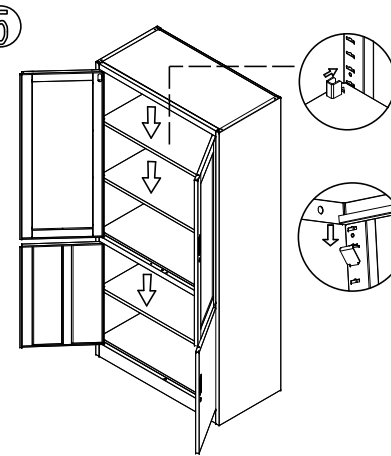
Fix the door frame onto both of the side plates

④



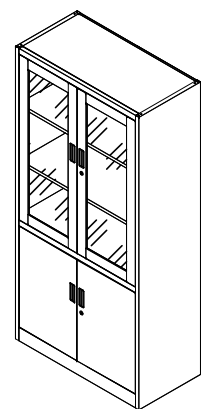
Fix the top plate, bottom plate and middle plate with self-tapping screw 5*12

⑤



Install the shelves.

⑥



Adjust each parts till fit well after installation