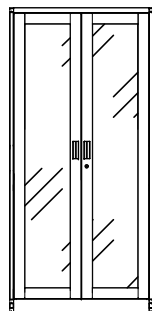




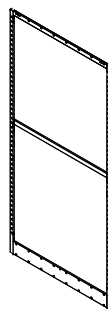
Left Side:1Pc



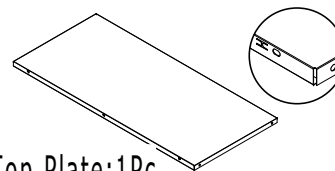
Right Side:1Pc



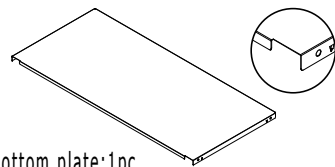
Door Frame:1Pc



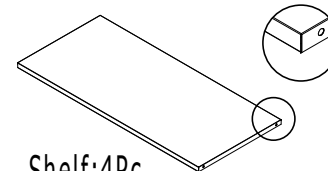
Back Plate:1Pc



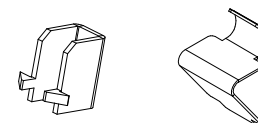
Top Plate:1Pc



Bottom plate:1pc



Shelf:4Pc

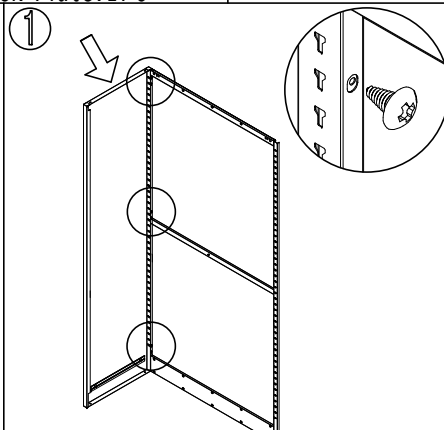
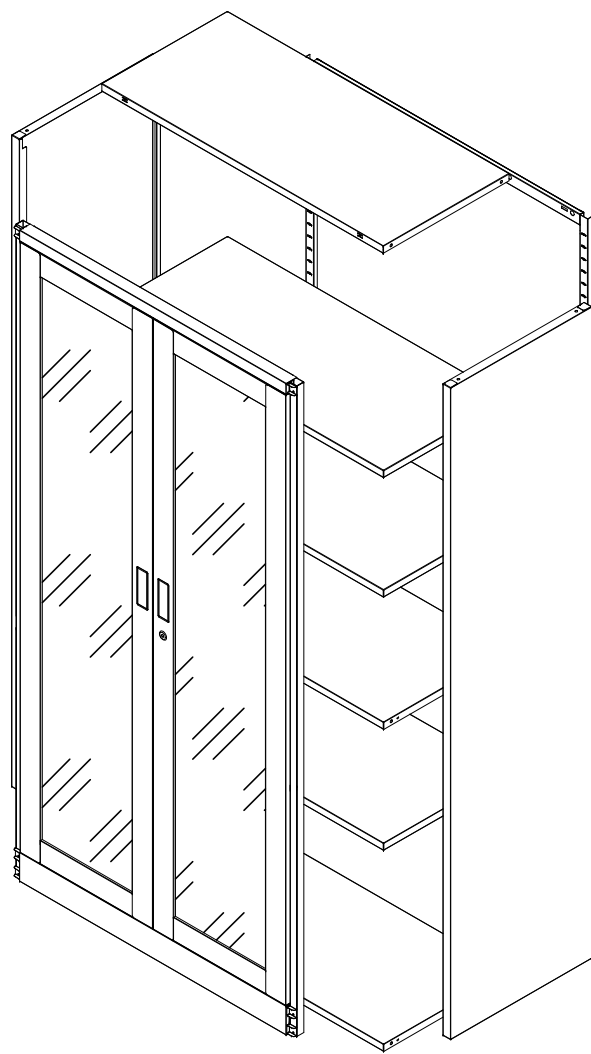


Shelf Holder:16pcs

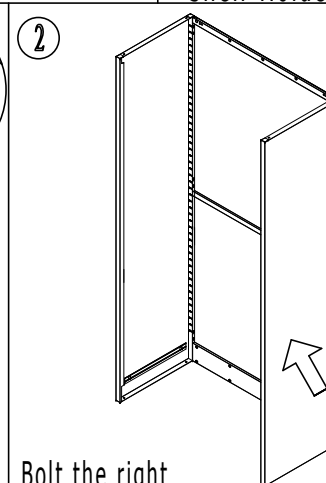
Self-tapping
Screw(5x12):15Pcs



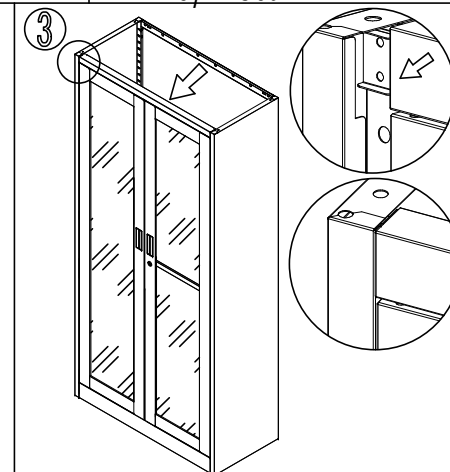
Key:1 Set



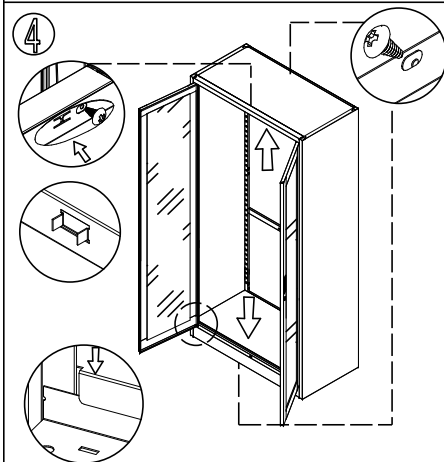
Bolt the left side and back plate with self-tapping screws(5x12)



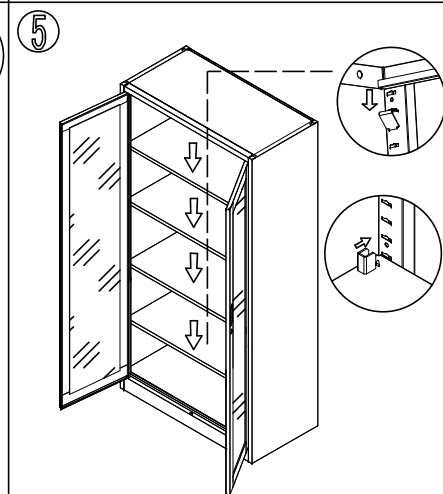
Bolt the right plate and back plate in the same way as the first step



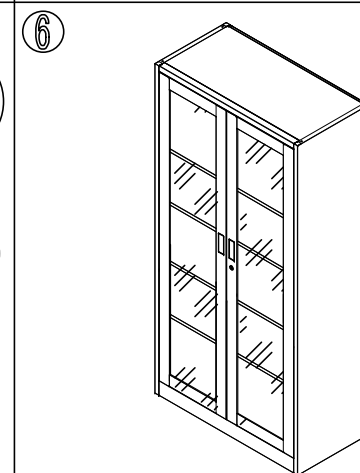
Fix the door frame onto both of the side plates



Install the top and bottom plate respectively



Install the shelves.



Adjust each parts till fit well after installation