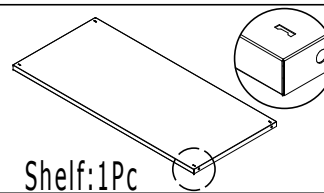
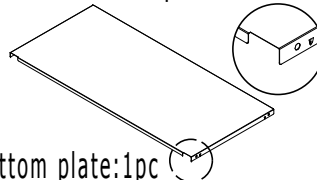


Top Plate:1Pc

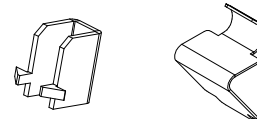


Shelf:1Pc

Self-tapping
Screw(5x12):5Pcs



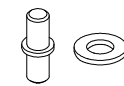
Bottom plate:1pc



Shelf Holder:8pcs



Key:1 Set



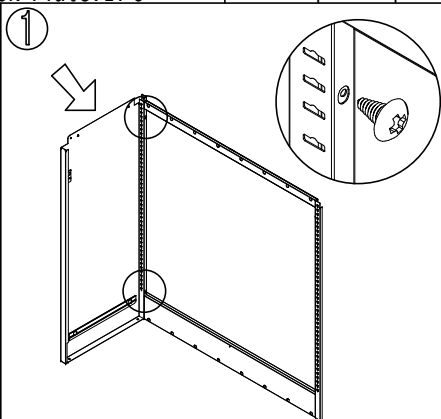
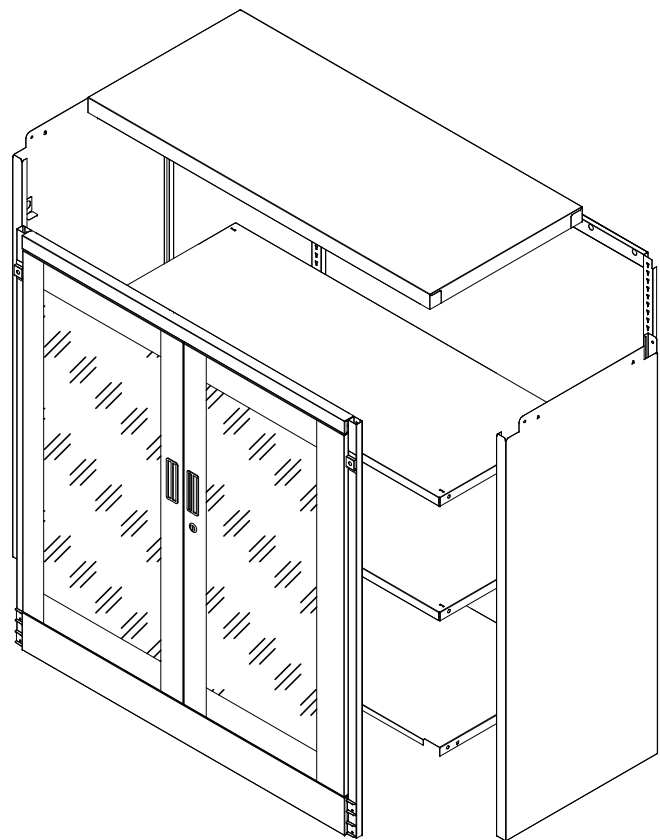
Door Pivot: 2Pcs

Left Side:1Pc

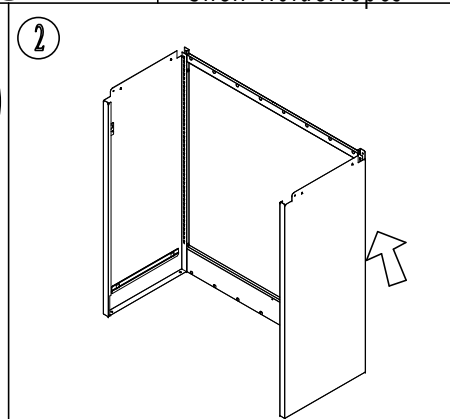
Right Side:1Pc

Door Frame:1Pc

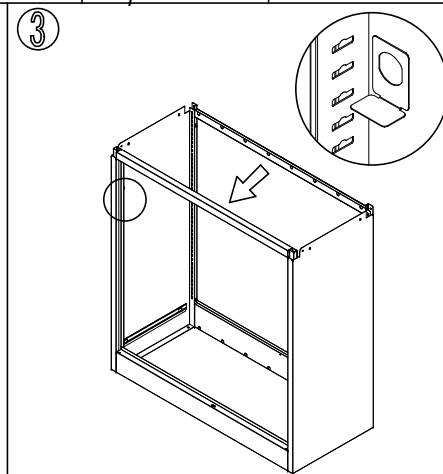
Back Plate:1Pc



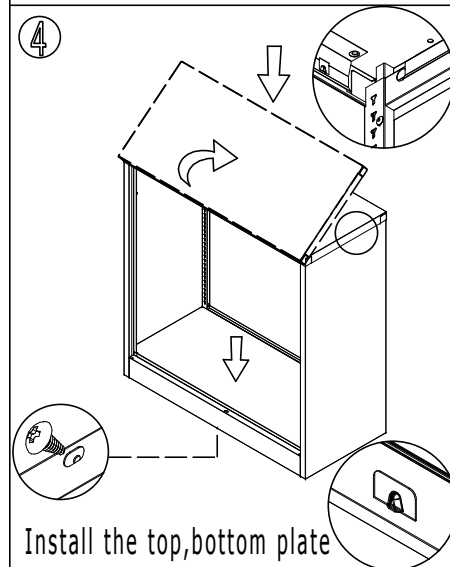
1 Bolt the left side and back plate with self-tapping screws(5x12)



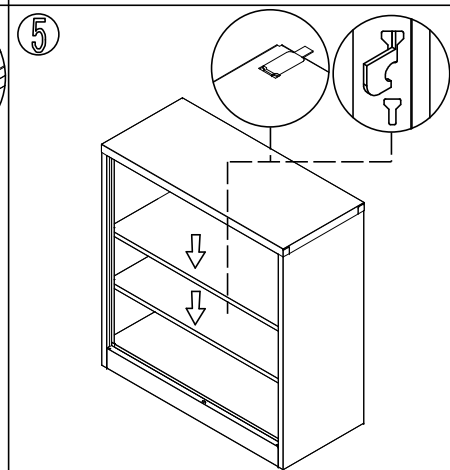
2 Bolt the right plate and back plate in the same way as the first step



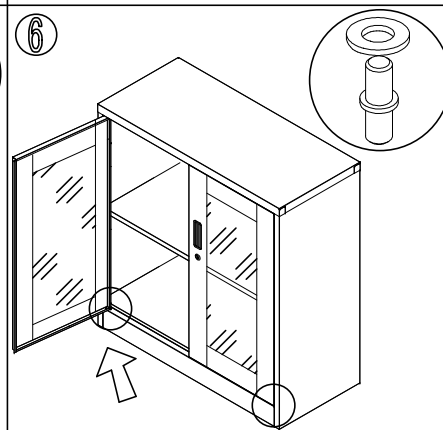
3 Fix the door frame onto both of the side plates



4 Install the top, bottom plate



5 Install the shelves.



6 Install the doors as the sign, Adjust each parts till fit well after installation