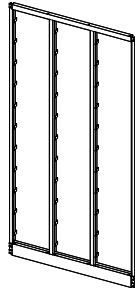


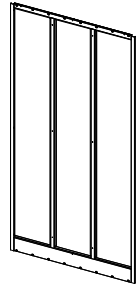
Left Side:1Pc



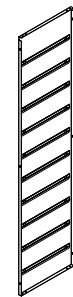
Right Side:1Pc



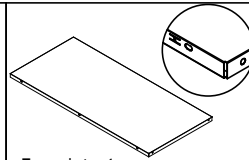
Door frame:1pc



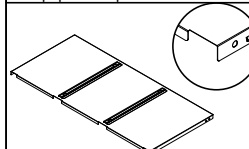
Back plate:1pc



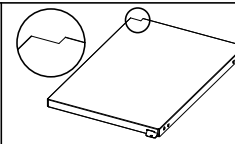
Division plate:2pc



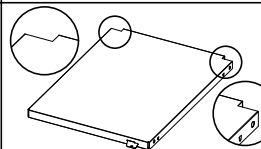
Top plate:1pc



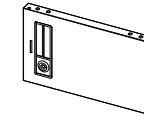
Bottom plate:1pc



Shelf(Left and Middle): 20Pcs



Shelf(Right): 10Pcs



Door plate: 33Pcs



Self-tapping Screw(5x12):24Pcs



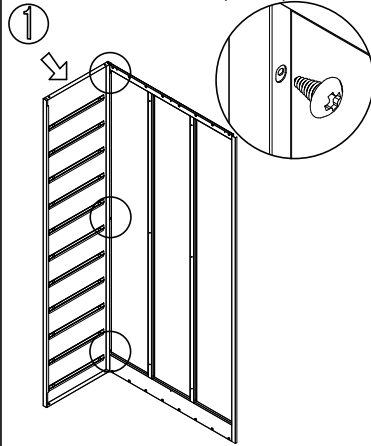
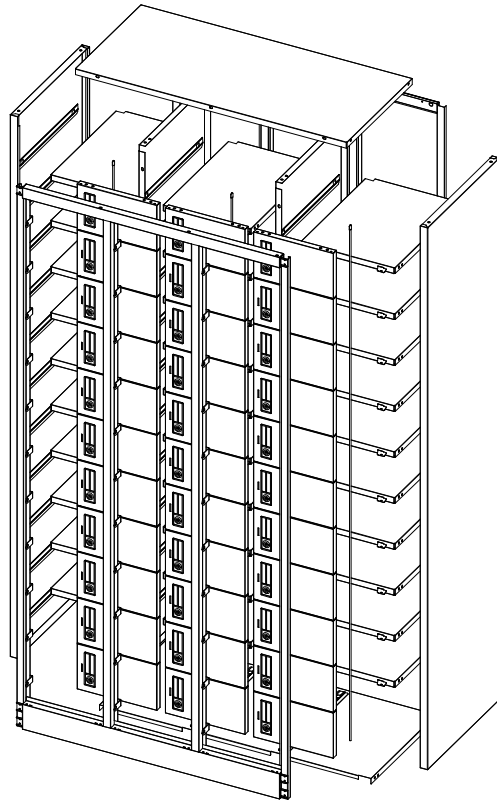
Door Pivot Washer: 33 Pcs



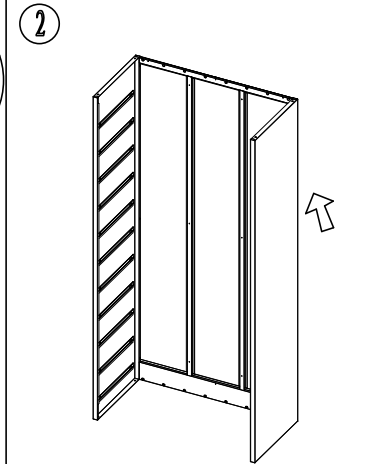
Key:33 Set



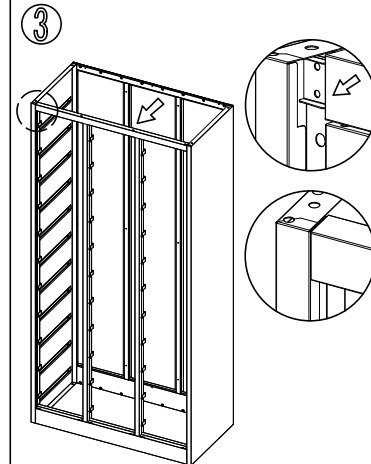
Door Pivot: 3Pcs



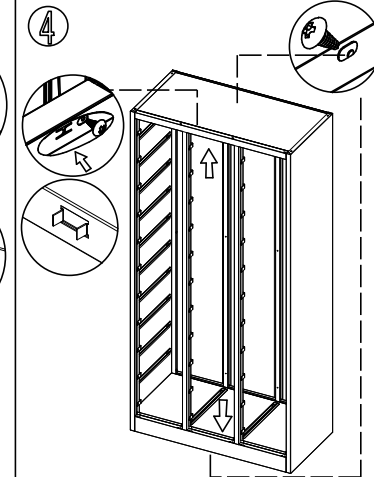
1 Bolt the left side plate and back plate with self-tapping screw 5\*12



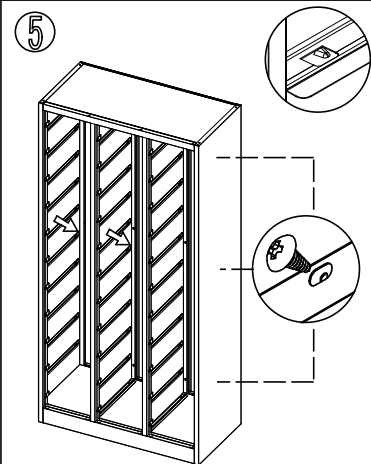
2 Bolt the right side plate with back plate in the same way as first step



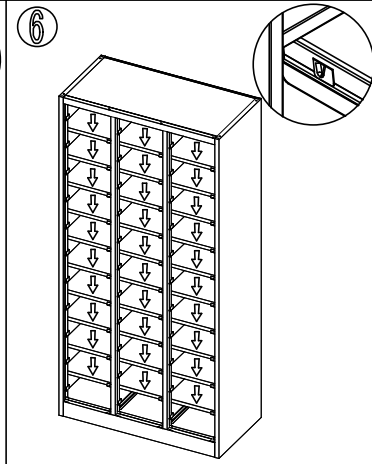
3 Fix the door frame as the sign



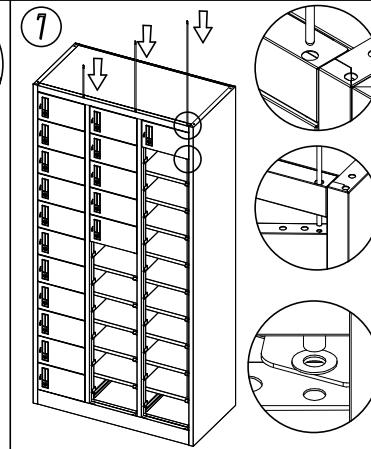
4 Install the top and bottom plate respectively



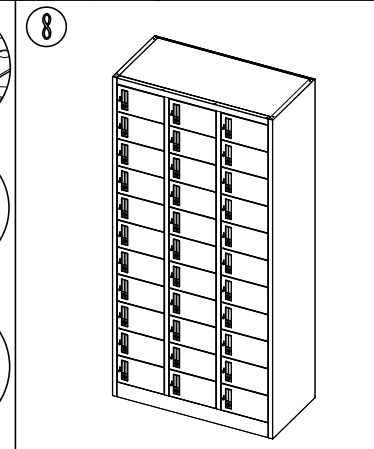
5 Fix the division plate with self-tapping screw 5\*12.



6 Fix the shelves as the sign.



7 Fix the door from top to bottom as the sign (add some door pivot washers to adjust the door)



8 Adjust each parts till fit well after installation