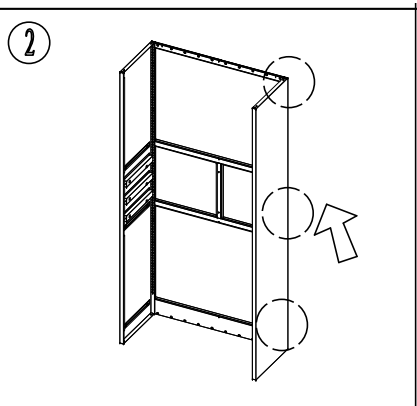
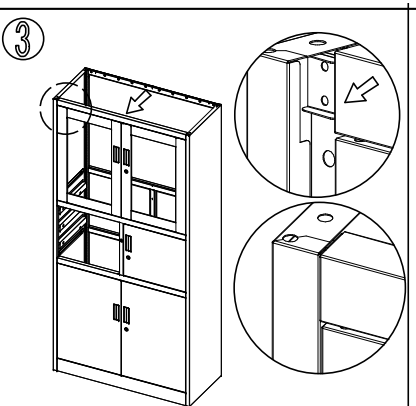


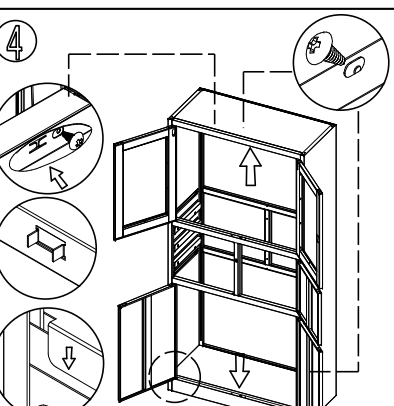
1 Bolt the left plate and back plate with self-taping screws(5x12)



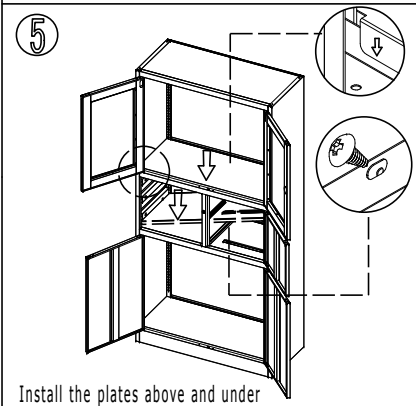
2 Bolt the other side plate in the same way as the first step



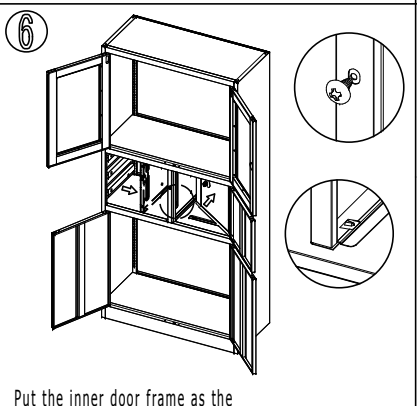
3 Fix the door frame onto both of side plates



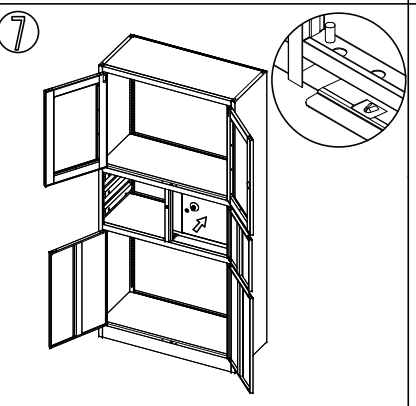
4 Install the top and bottom plate respectively



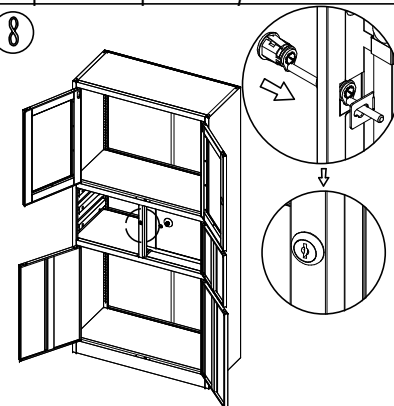
5 Install the plates above and under the drawer together as the sign, and fix them with screw.



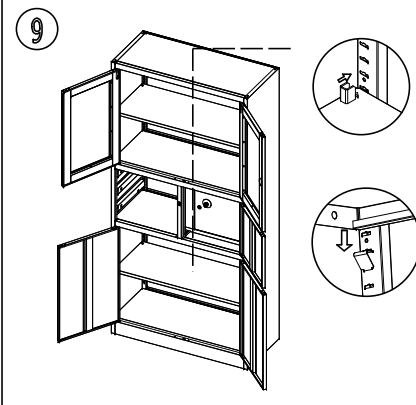
6 Put the inner door frame as the sign, and install the division plate, then fix it with screw.



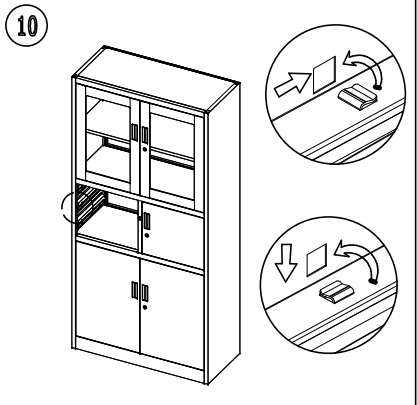
7 Install the inner door frame as the sign.



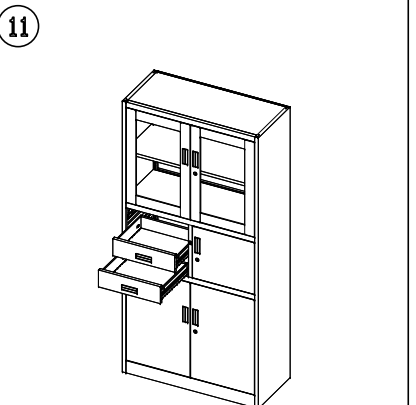
8 Install the lock as the sign.



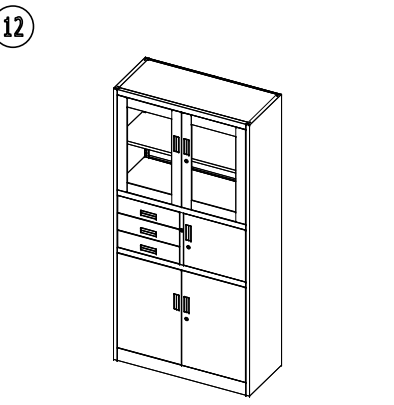
9 Install the shelves as the drawing



10 Install the outside rail sliding as the sign.



11 Install the drawers as the sign.



12 Adjust each part till fit well after installation