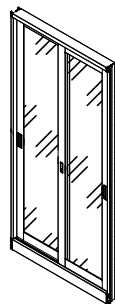




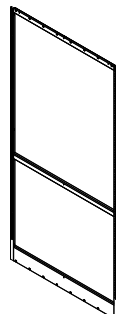
Side Plate(left):1pc



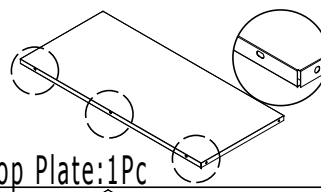
Side Plate(Right):1pc



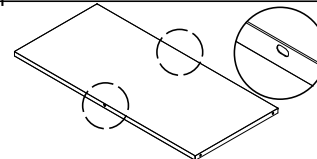
Door Frame:1pc



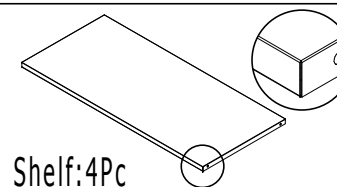
Back Plate:1Pc



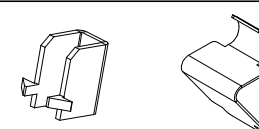
Top Plate:1Pc



Bottom Plate:1Pc



Shelf:4Pc



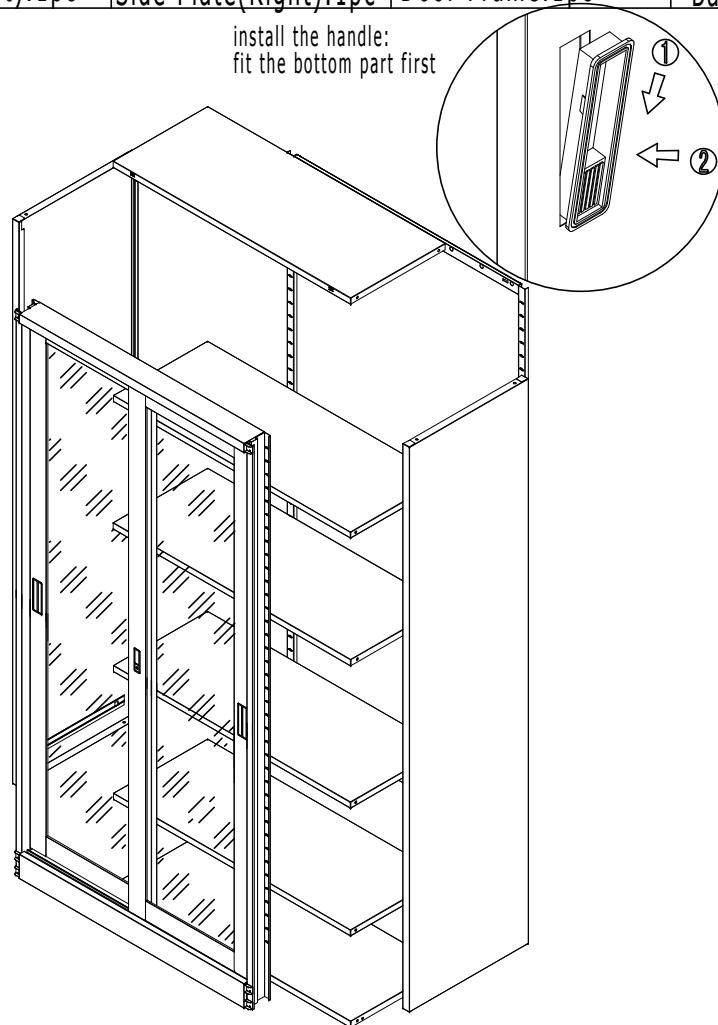
Shelf Holder:16pcs



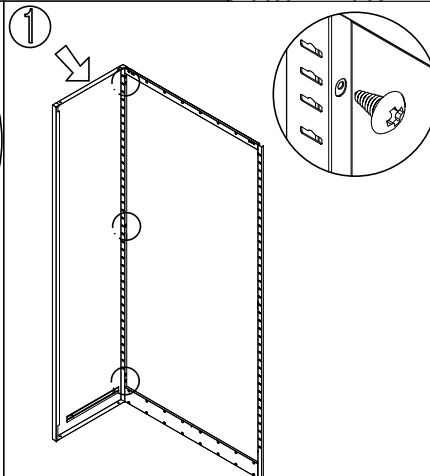
Self-tapping  
Screw(5x12):14Pcs



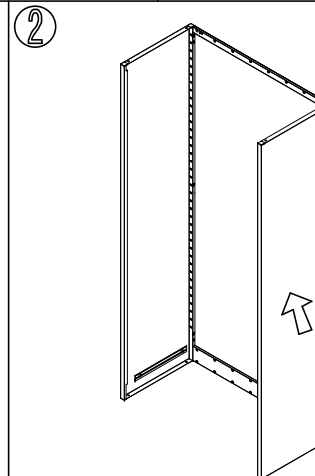
Key:1 Set



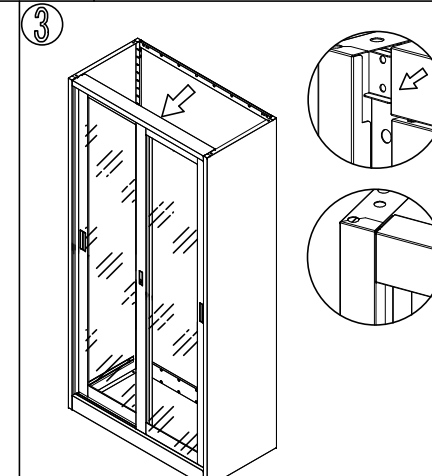
install the handle:  
fit the bottom part first



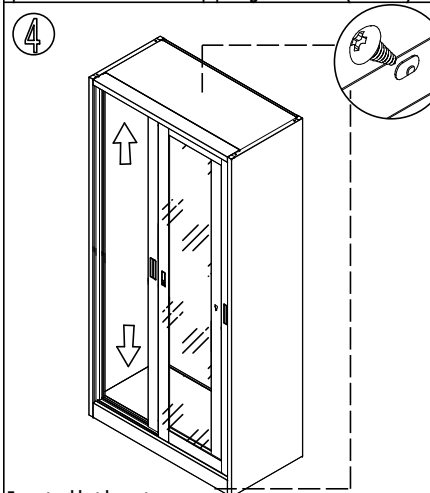
Bolt the left side and back  
plate with self-tapping screws(5x12)



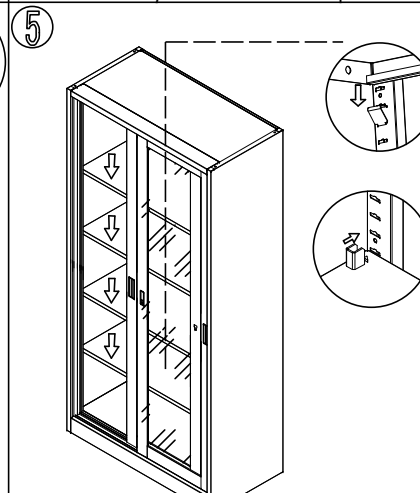
Bolt the right plate and back plate in  
the same way as the first step



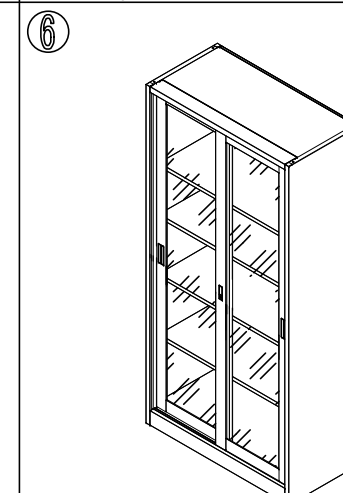
Fix the door frame onto both of  
the side plates



Install the top  
and bottom plate respectively



Install the shelves.



Adjust each parts till  
fit well after installation