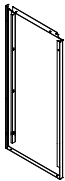
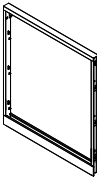
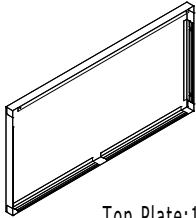
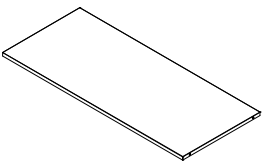
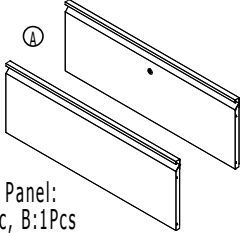
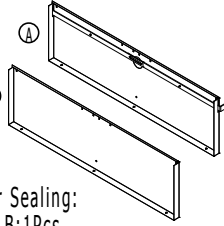
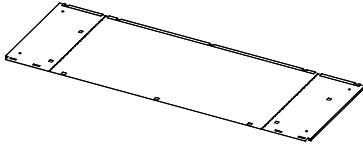
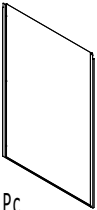
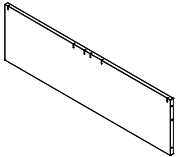
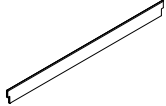
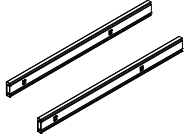


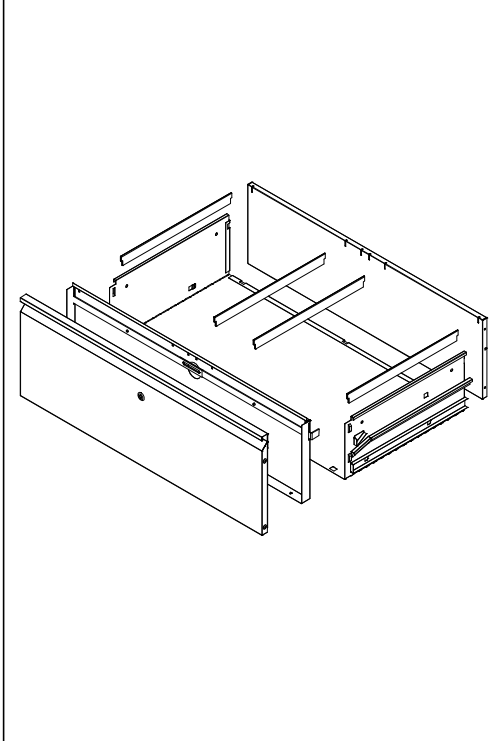
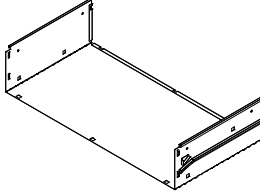
 Left Side:1Pc	 Right Side:1Pc	 Door Frame:1Pc	 Top Plate:1Pc	 Bottom Plate:1Pc
 Face Panel: A:1Pc, B:1Pcs	 Front Drawer Sealing: A:1Pc, B:1Pcs	 Drawer Box: 2Pcs		 Back Plate:1Pc
 Back Drawer Sealing:2Pcs	 Movable Hanging Rod:8Pcs	 Rail:2 Sets	 Key:1 Set	 Self-tapping Screw(5x12): 4Pcs

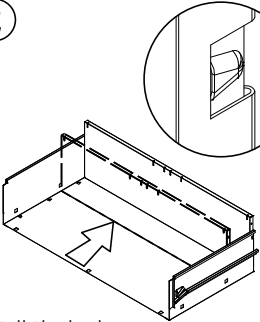


①



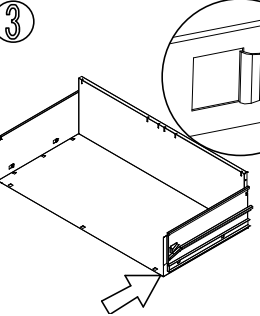
Bend the drawer box as the drawing

②



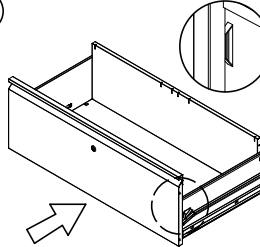
Install the back drawer sealing

③



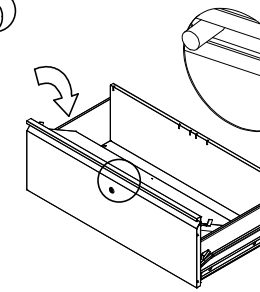
Fix the inner rail onto the left and right drawer panel

④



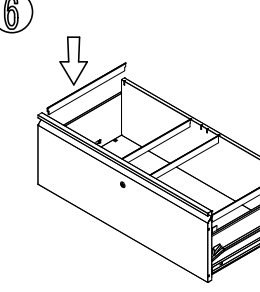
Install the face panel

⑤

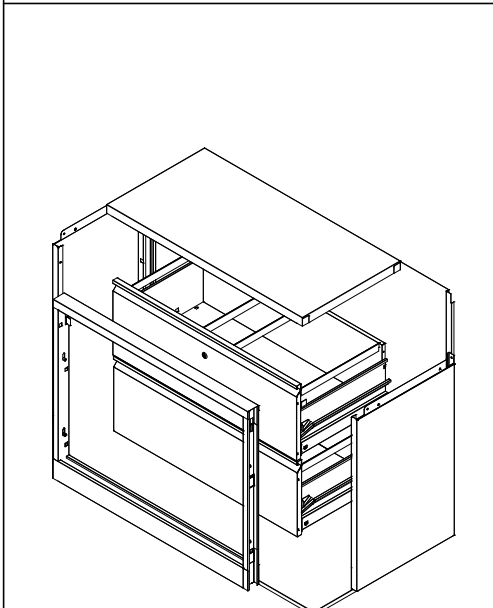


Install the front drawer sealing

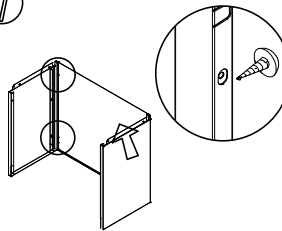
⑥



Fix the movable hanging rod onto the place where you need

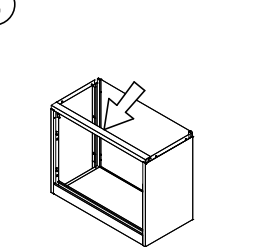


⑦



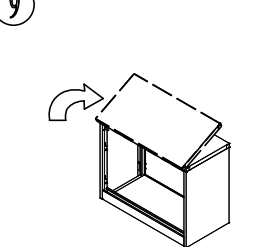
Bolt the side plate and back plate with self-tapping screws

⑧



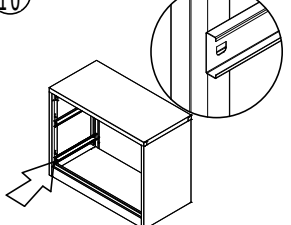
Install the door frame

⑨



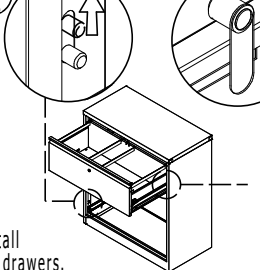
Install the top, bottom plate

⑩



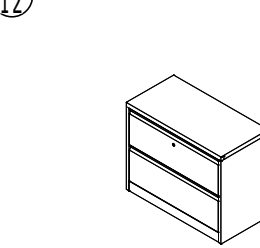
Install the outer rail onto the side plate

⑪



Install the drawers.
(Attention: put the blocking shaft of the lock at the top of anti-return rail)

⑫



Adjust each part till fit well, installation finished.