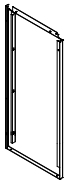
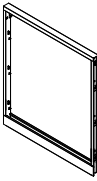
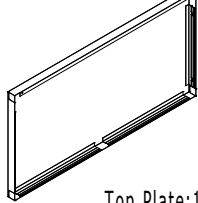
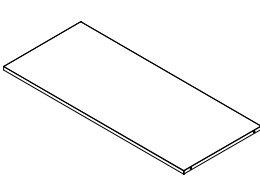
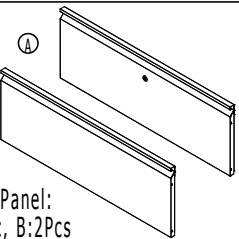
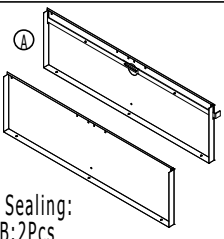
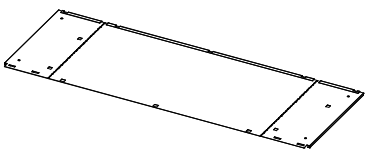
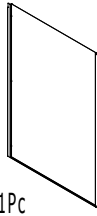
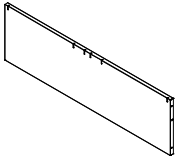
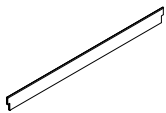
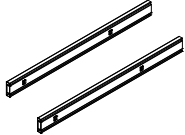


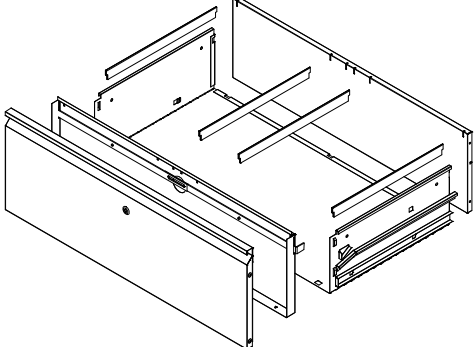
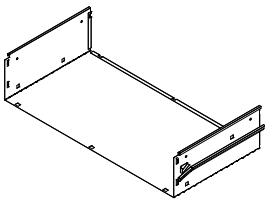
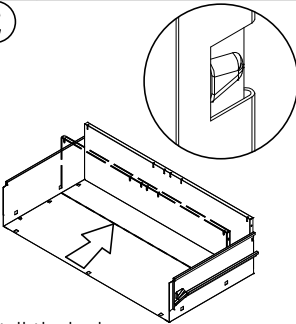
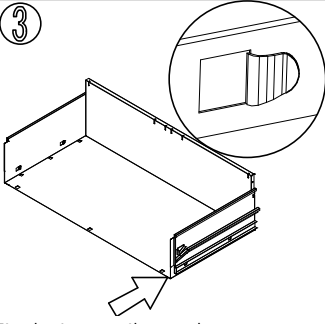
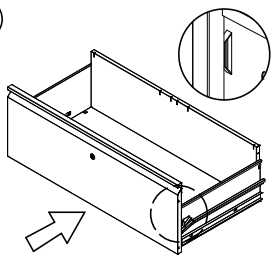
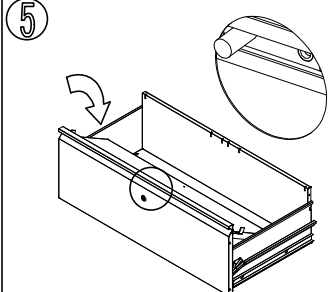
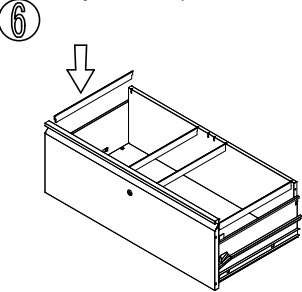
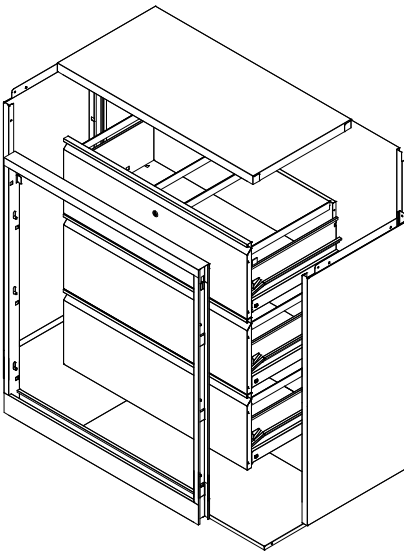
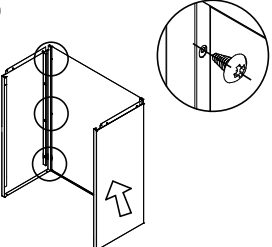
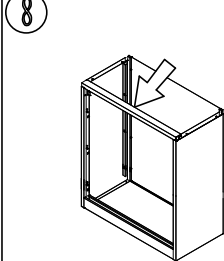
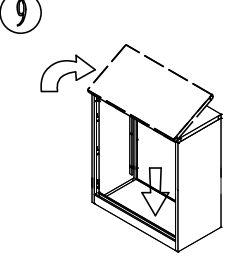
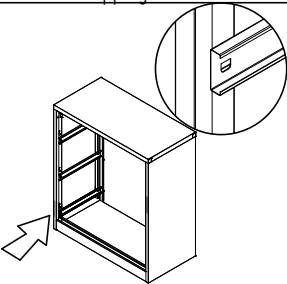
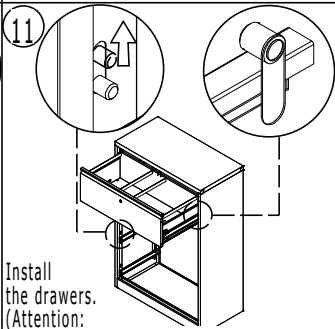
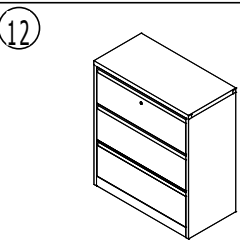
 Left Side:1Pc	 Right Side:1Pc	 Door Frame:1Pc	 Top Plate:1Pc	 Bottom Plate:1Pc
 Face Panel: A:1Pc, B:2Pcs	 Front Drawer Sealing: A:1Pc, B:2Pcs	 Drawer Box: 3Pcs		 Back Plate:1Pc
 Back Drawer Sealing:4Pcs	 Movable Hanging Rod:12Pcs	 Rail:3 Sets	 Key:1 Set	 Self-tapping Screw(5x12): 6Pcs

	<b>1</b>  Bend the drawer box as the drawing	<b>2</b>  Install the back drawer sealing	<b>3</b>  Fix the inner rail onto the left and right drawer panel
	<b>4</b>  Install the face panel	<b>5</b>  Install the front drawer sealing	<b>6</b>  Fix the movable hanging rod onto the place where you need

	<b>7</b>  Bolt the side plate and back plate with self-tapping screws	<b>8</b>  Install the door frame	<b>9</b>  Install the top, bottom plate
	<b>10</b>  Install the outer rail onto the side plate	<b>11</b>  Install the drawers. (Attention: put the blocking shaft of the lock at the top of anti-return rail)	<b>12</b>  Adjust each part till fit well, installation finished.