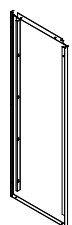
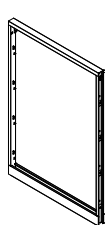
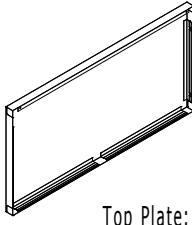
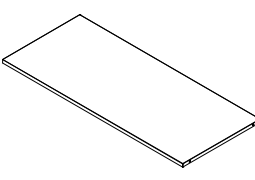
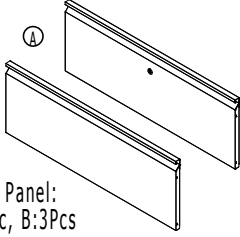
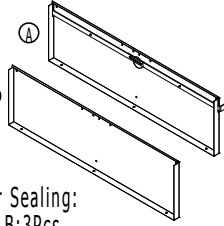
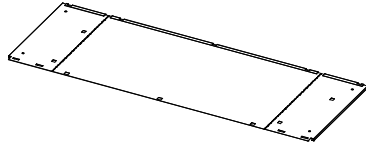
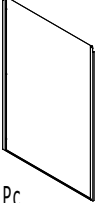
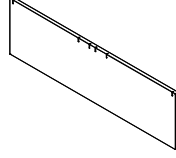
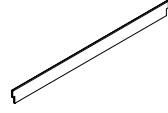
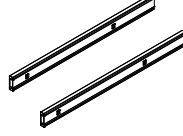


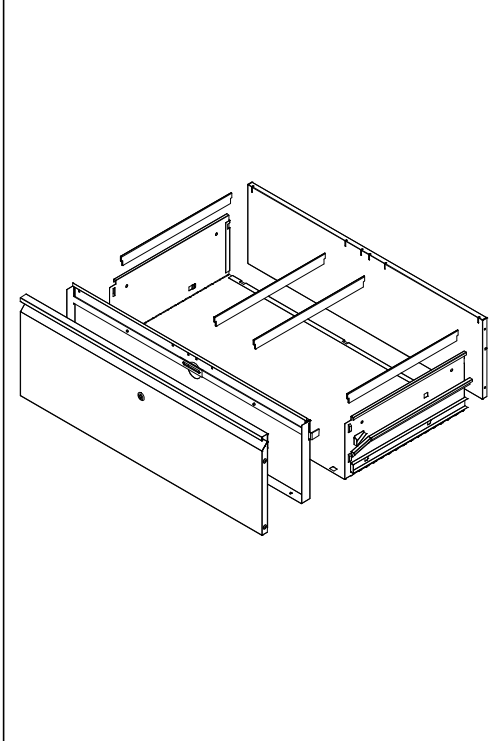
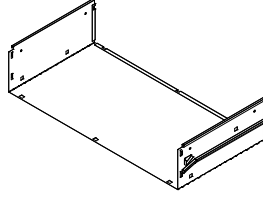
 <p>Left Side:1Pc</p>	 <p>Right Side:1Pc</p>	 <p>Door Frame:1Pc</p>	 <p>Top Plate:1Pc</p>	 <p>Bottom Plate:1Pc</p>
 <p>Face Panel: A:1Pc, B:3Pcs</p>	 <p>Front Drawer Sealing: A:1Pc, B:3Pcs</p>	 <p>Drawer Box: 4Pcs</p>		 <p>Back Plate:1Pc</p>
 <p>Back Drawer Sealing:4Pcs</p>	 <p>Movable Hanging Rod:16Pcs</p>	 <p>Rail:4 Sets</p>	 <p>Key:1 Set</p>	 <p>Self-tapping Screw(5x12): 6Pcs</p>

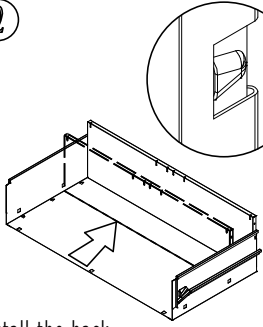


①



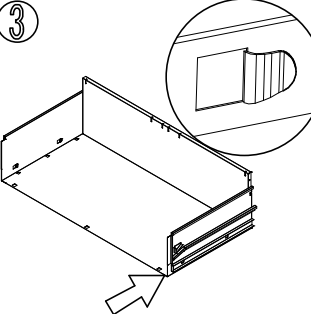
Bend the drawer box  
as the drawing

②



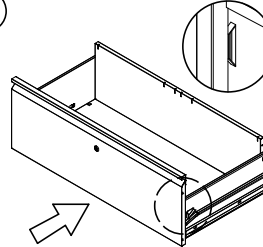
Install the back  
drawer sealing

③



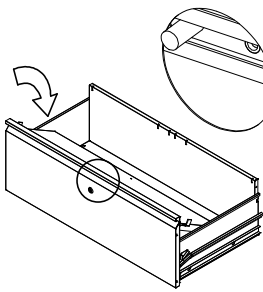
Fix the inner rail onto the  
left and right drawer panel

④



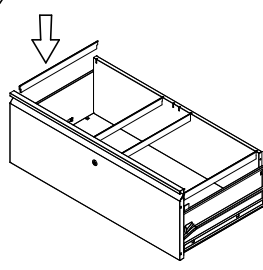
Install the face panel

⑤

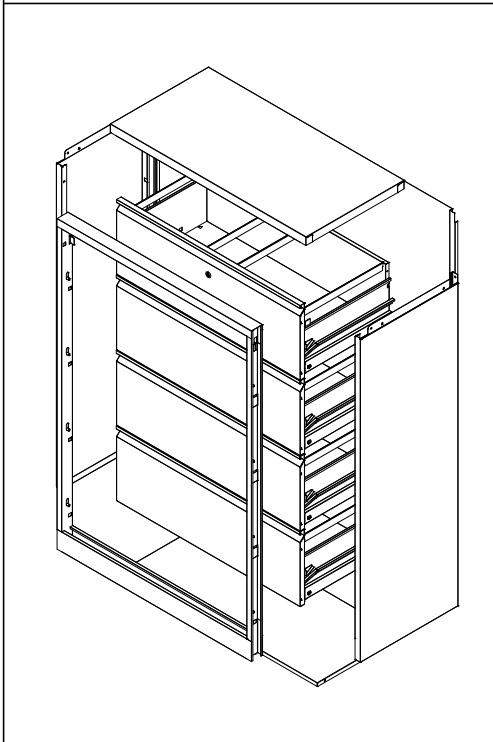


Install the front drawer  
sealing

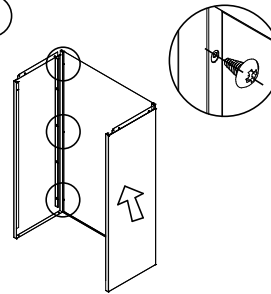
⑥



Fix the movable hanging rod  
onto the place where you need

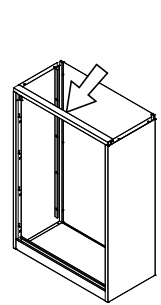


⑦



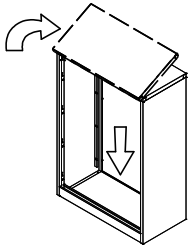
Bolt the side plate and back  
plate with self-tapping screws

⑧



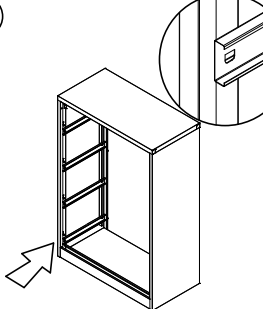
Install the door frame

⑨



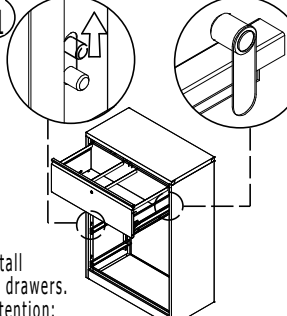
Install the top, bottom plate

⑩



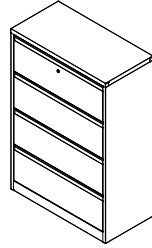
Install the outer rail onto  
the side plate

⑪



Install  
the drawers.  
(Attention:  
put the blocking shaft of the lock  
at the top of anti-return rail)

⑫



Adjust each part till fit  
well, installation finished.