

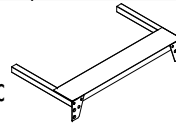
Top Plate:1Pc

Front Panel:2Pcs

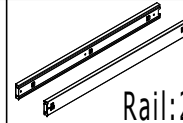
Front Drawer Seal:2Pcs

Back Drawer Seal:2Pcs

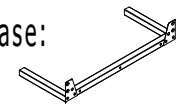
Front Base:1Pc



Rail:2Sets



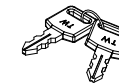
Back Base:1Pc



Hanging Rod:2Pcs



Key:1Set



M5x12 Self-tapping Screw:6Pcs



M6x12 Screw:8Sets

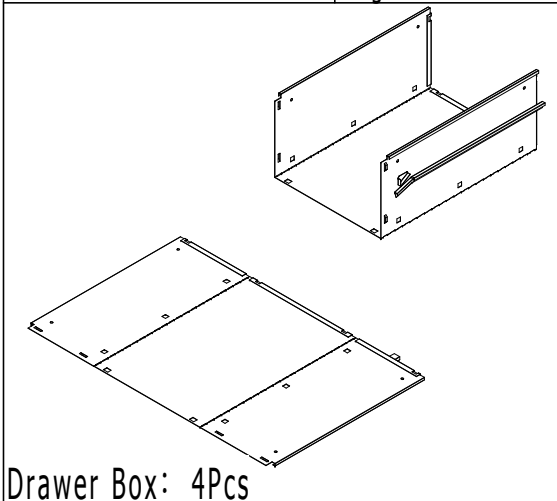


Left Side:1Pc

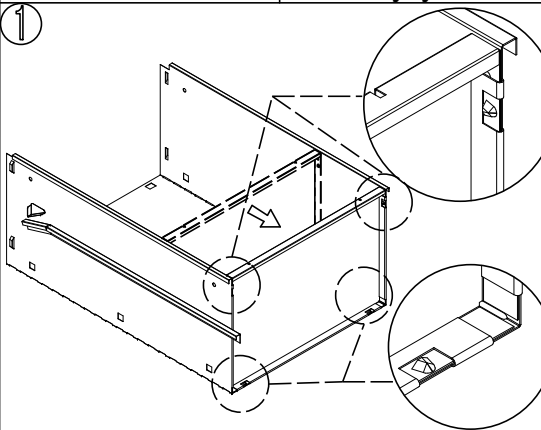
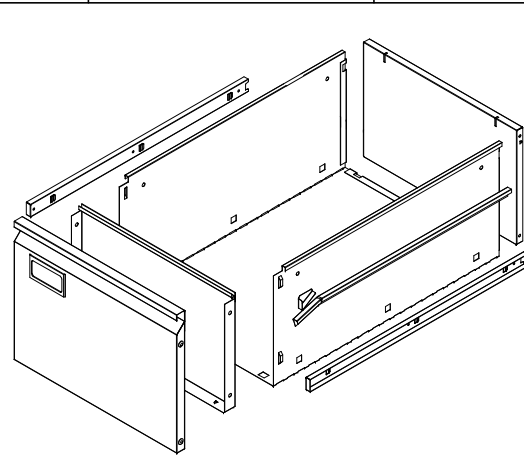
Right Side:1Pc

Back Plate:1Pc

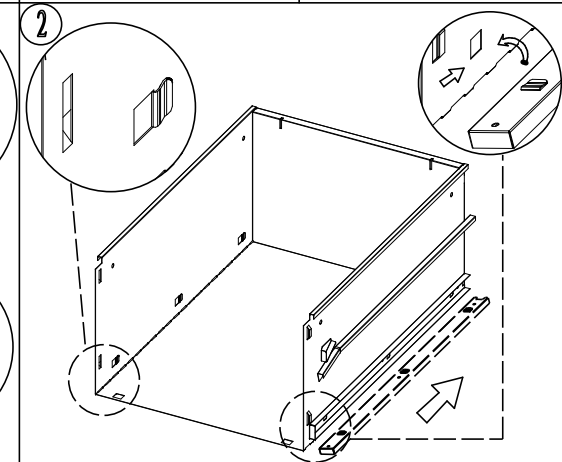
Lock Rod:1Pc



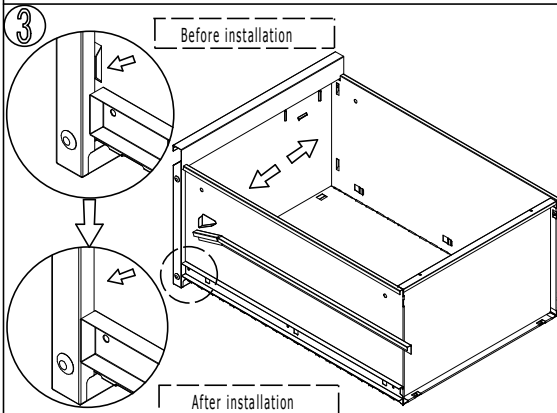
Drawer Box: 4Pcs



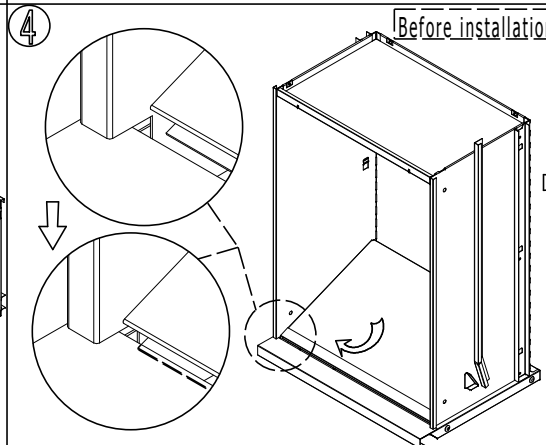
Push the back seal to the end.



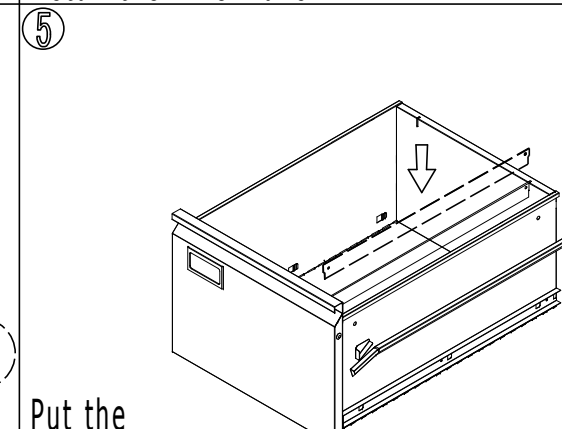
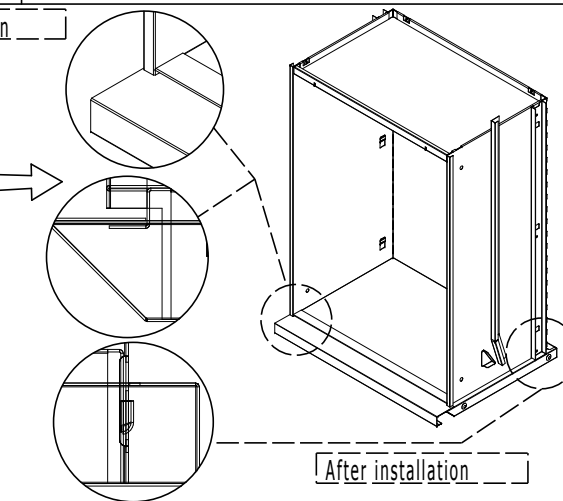
Install the inner rails.



Install the front panel.



Install the front drawer seal.



Put the hanging rods onto the drawers.