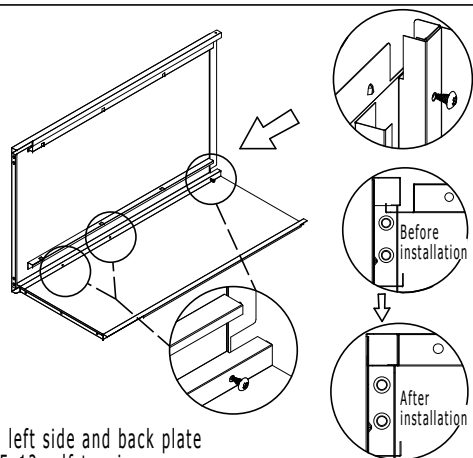
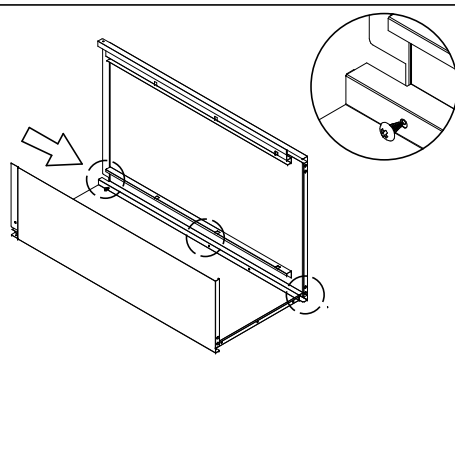


1



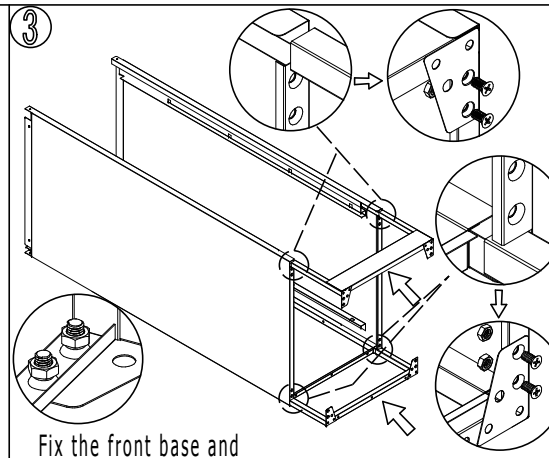
Fix the left side and back plate with M5x12 self-tapping screws.

2



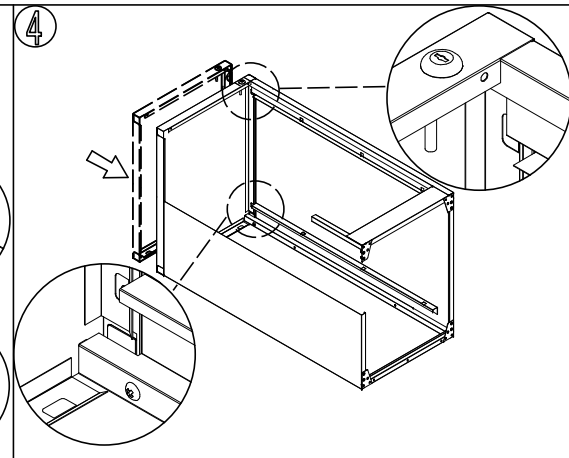
Fix the right side in the same way.

3

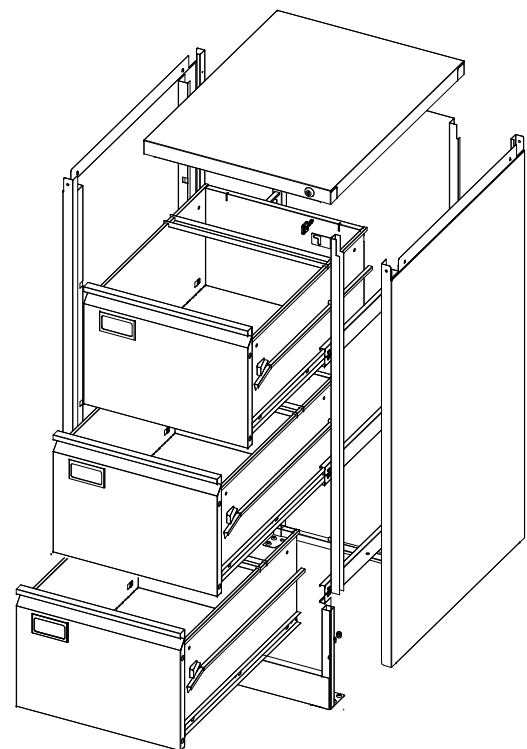


Fix the front base and back base with M6x12 screws.

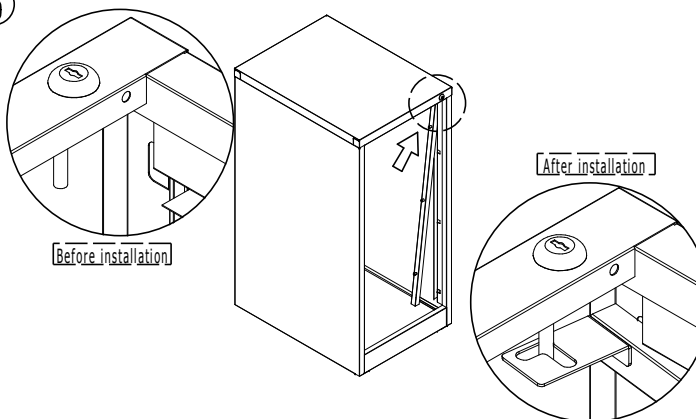
4



Fix the top plate from upside.

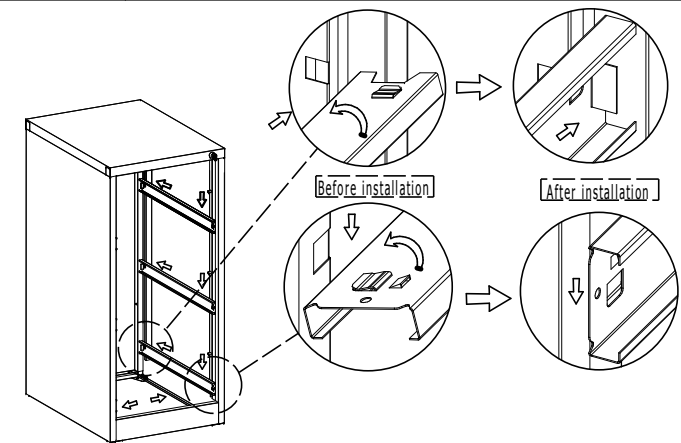


5



Install the lock rod.

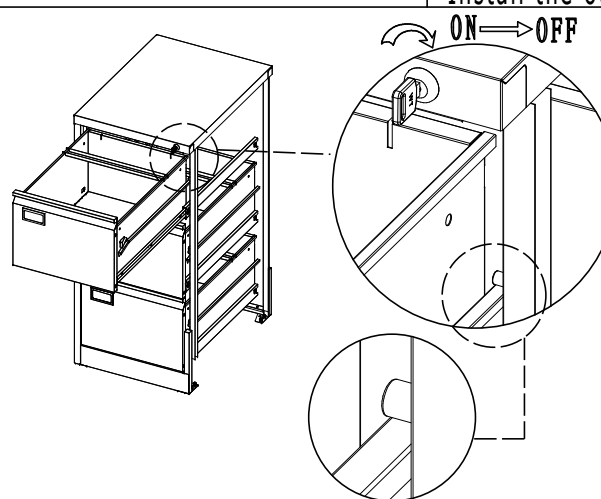
6



Install the outer rails.

7

Turn the key and put the lock rod in the upper position (In Locked state), then fix the drawer. Put the blocking shaft of the lock at the top of the anti-return rail. When the drawer coming into half, turn the key and put the lock rod in the lower position (In unlocked state). Fix other drawers one by one.



8

