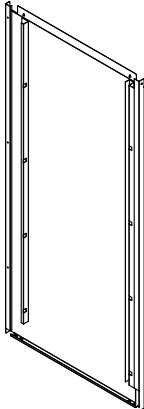
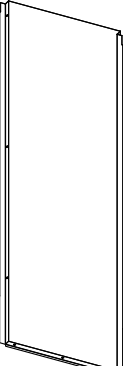
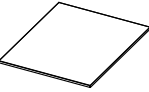
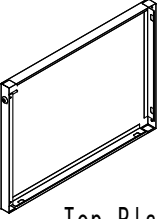
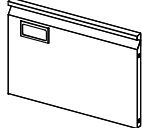
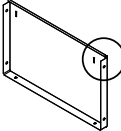
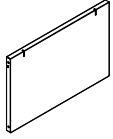

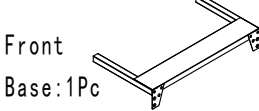
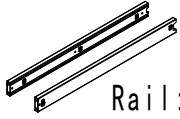


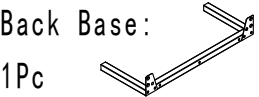
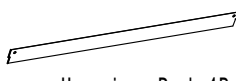

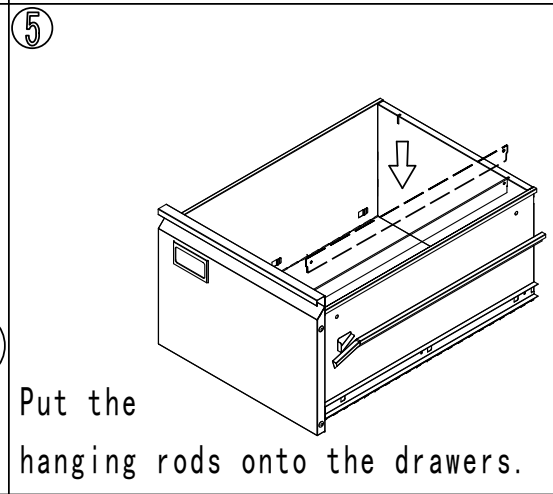
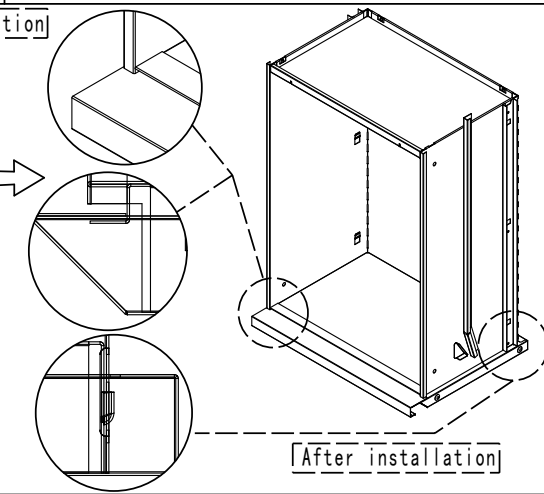
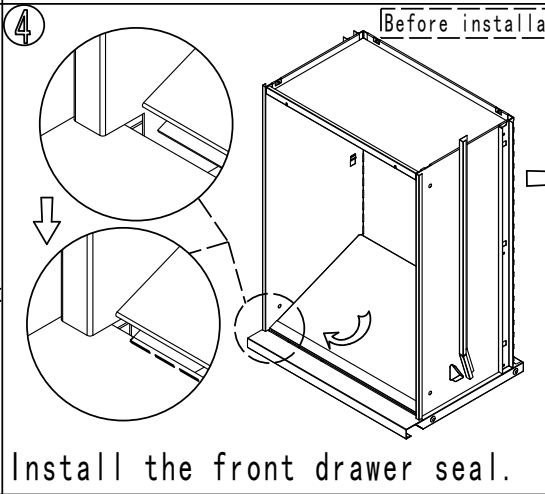
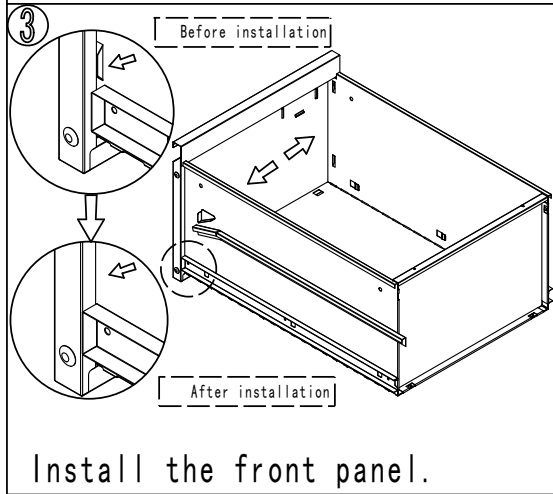
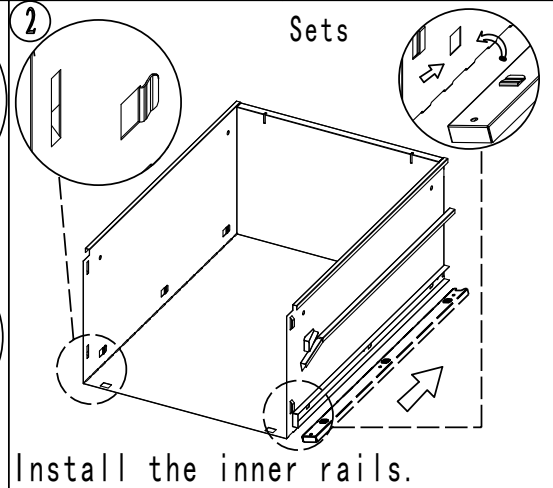
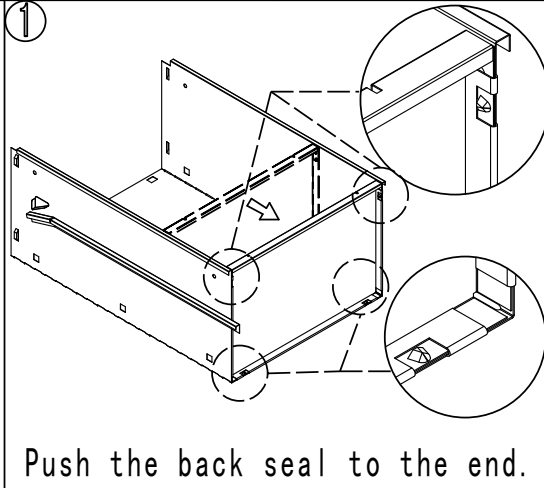
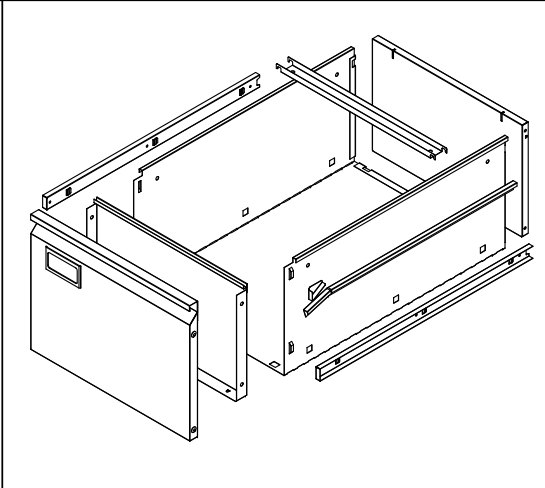
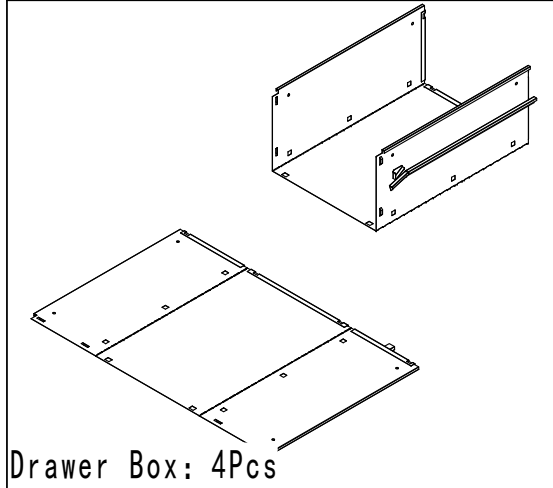
 Left Side:1Pc	 Right Side:1Pc	 Back Plate:1Pc	 Bottom Plate:1Pc	 Top Plate:1Pc	 Front Panel:5Pcs	 Front Drawer Seal:5Pcs	 Back Drawer Seal:5Pcs
			 Lock Rod:1Pc	 Front Base:1Pc	 Rail:4Sets	 Key:1Set	 M5x12 Self-tapping Screw:6Pcs
				 Back Base:1Pc	 Hanging Rod:4Pcs		 M6x12 Screw:8



①

Fix the left side and back plate with M5x12 self-tapping screws.

②

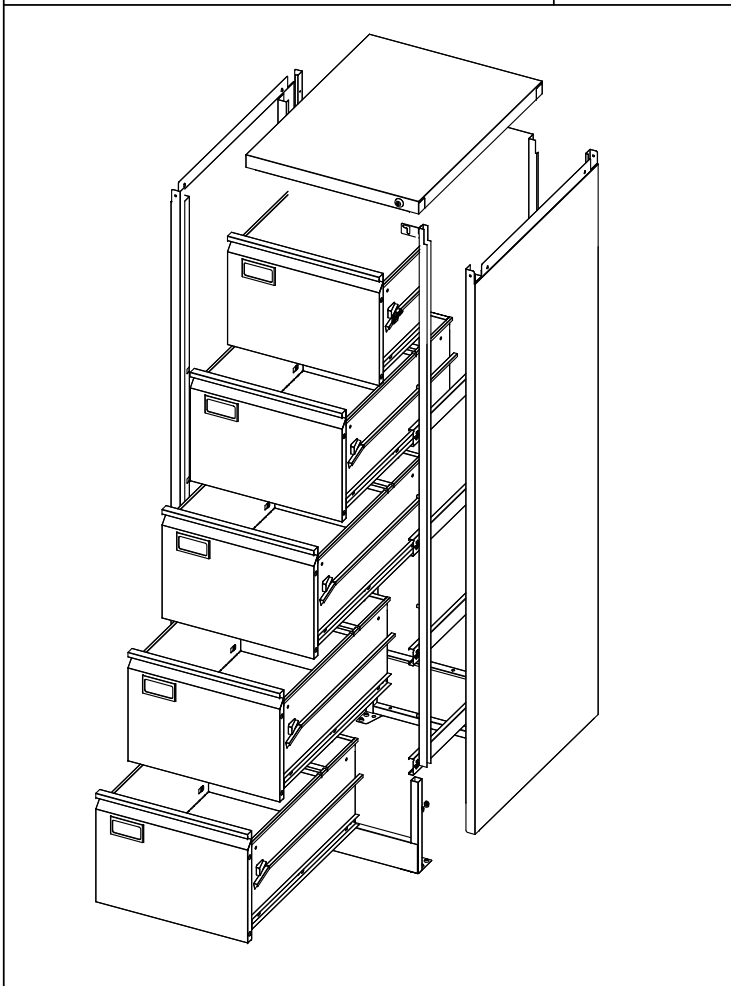
Fix the right side in the same way.

③

Fix the front base and back base with M6x12 screws.

④

Fix the top plate from



⑤

Install the lock rod.

⑥

Install the outer rails.

⑦

Turn the key and put the lock rod in the upper position (In Locked state), then fix the drawer. Put the blocking shaft of the lock at the top of the anti-return rail. When the drawer coming into half, turn the key and put the lock rod in the lower position (In unlocked state). Fix other drawers one by one.

⑧