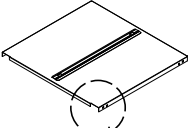
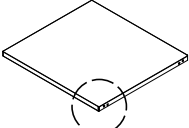
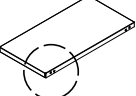


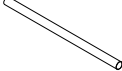
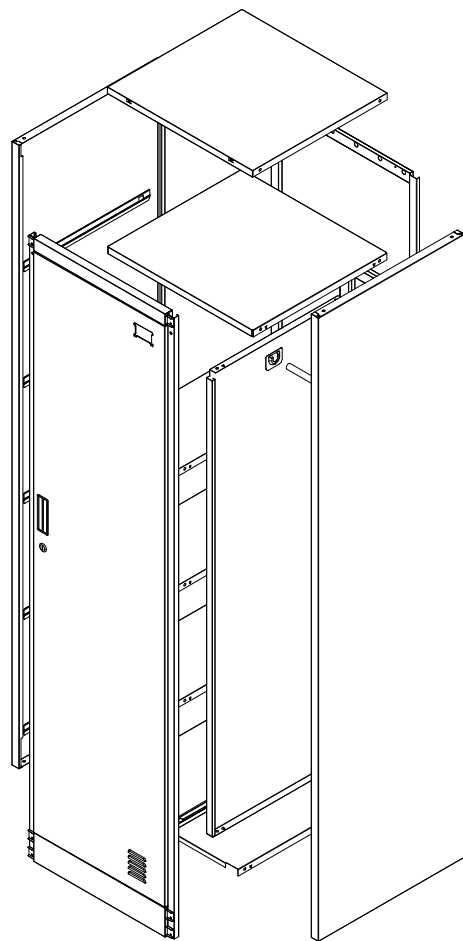
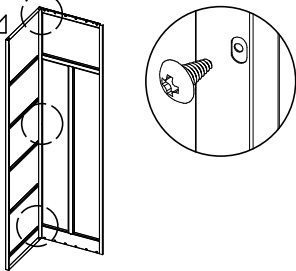
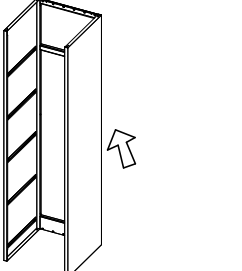
 Top Plate:1Pc	 Bottom Plate:1Pc	 Big Shelf: 1 Pc	
Left Side:1Pc	Right Side:1Pc	Door Frame:1Pc	Back Plate:1Pc	Division Plate: 1Pcs	 Small Shelf: 3 Pcs	 Self-tapping Screw(5x12):9Pcs	 Key:1Sets	 Hanging Rod: 1pc

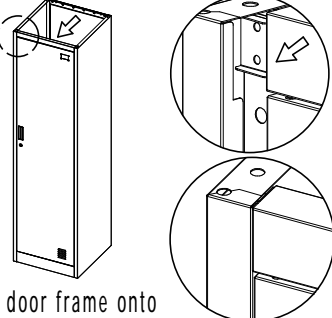


① 

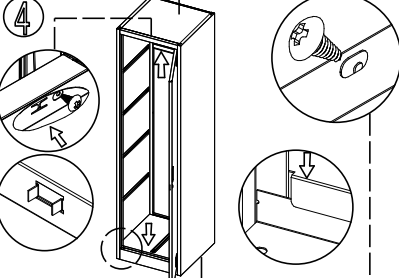
Bolt the left side and back plate with self-tapping screws(5x12)

② 

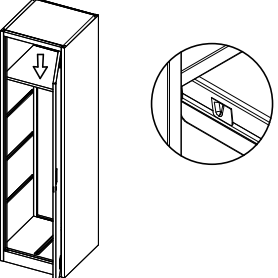
Bolt the right side with back plate in the same way as the first step

③ 

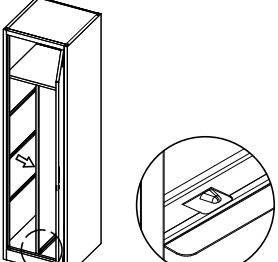
Fix the door frame onto both of the side plates

④ 

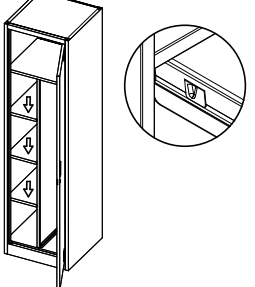
Install the top and bottom plate respectively

⑤ 

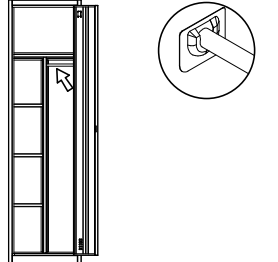
Install the big shelf

⑥ 

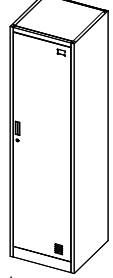
Install the division plate as the drawing

⑦ 

Install the small shelves.

⑧ 

Install the hanging rod.

⑨ 

Adjust each part till fit well after installation.