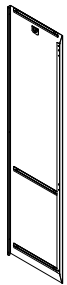


Left Side:1Pc



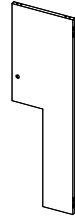
Right Side:1Pc



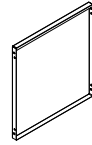
Door Frame:1Pc



Back Plate:1Pc



Door Plate:2Pcs



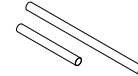
Top plate, Bottom plate
:Total 2 Pcs



Key:2Sets



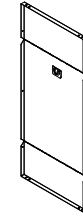
M4*8 Screw:8Pcs



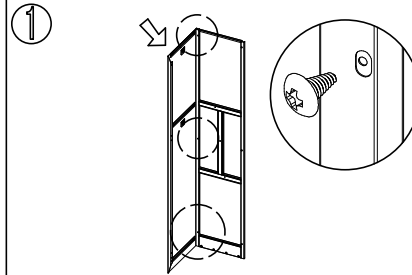
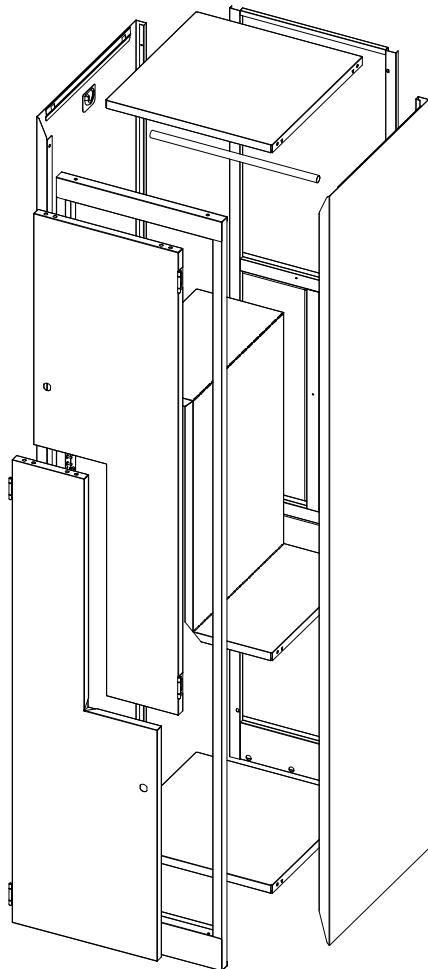
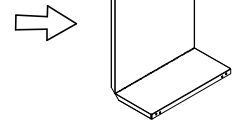
Hanging Rod: 2pc



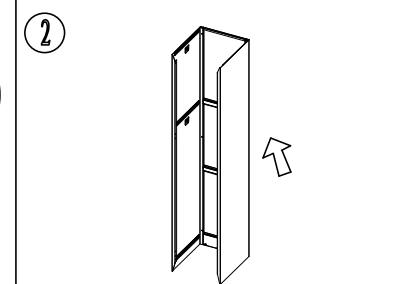
Self-tapping
Screw(5x12):9Pcs



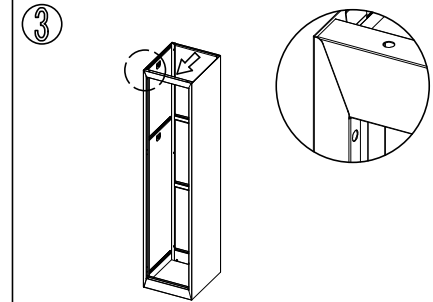
Division Plate:
1Pcs



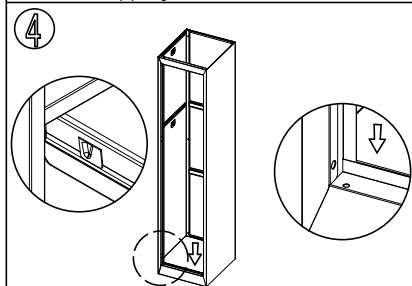
1 Bolt the left side and back plate with self-tapping screws(5x12)



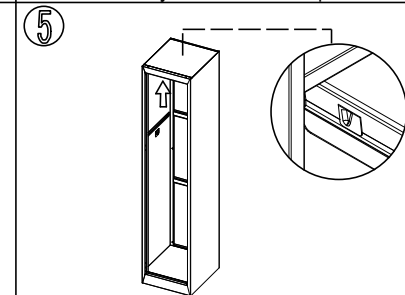
2 Bolt the right side with back plate in the same way as the first step



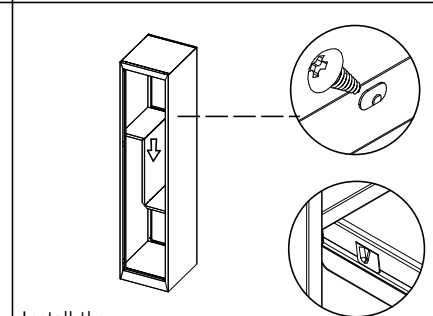
3 Install the door frames as the sign.



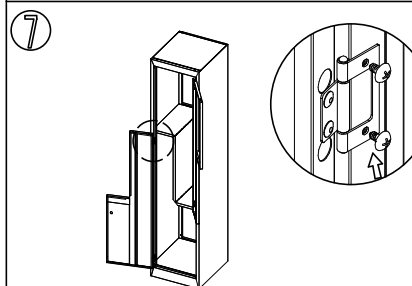
4 Install the bottom plate respectively



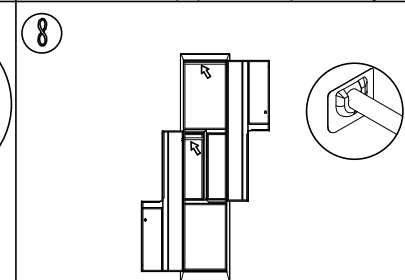
5 Install the top plate respectively



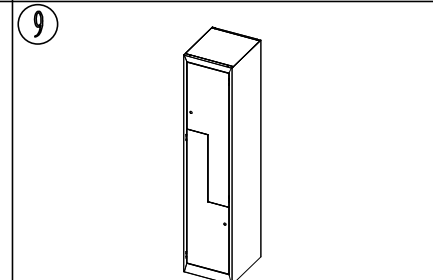
6 Install the division plate as the drawing



7 Install the top door as the sign



8 Install the hanging rod.



9 Adjust each part till fit well after installation.